



PARTS CATALOGUE

XT660Z (11D2) EUROPE



1H11D-300E1

()

2009-01-14

NEWS NO.	DATE	COMMENT
PE3-MC-080002	DECEMBER,16,2008	FIG.32 LIST CORRECTION

XT660Z
PARTS CATALOGUE
©2009 by Yamaha Motor Italia S.p.a.
1st edition, January 2009
All rights reserved.
Any reprinting or unauthorized use
without the written permission of
Yamaha Motor Italia S.p.a.
is expressly prohibited.
Printed in Italy.

FOREWORD

This Parts Catalogue is related to the parts for the model(s) on the cover page. When you are ordering replacement parts, please refer to this Parts Catalogue and quote both part numbers and part names correctly.

1. Modifications or additions which have been made after the issue of the Parts Catalogue will be announced in the Parts News.

It is advisable that you make the necessary corrections to the Parts Catalogue according to the Parts News.

2. Abbreviations

The following abbreviations are used in this Parts Catalogue.

“UR” Use specified parts number.

“UN” Use as many as needed.

“AP” Alternate Parts

“LM” Locally Made (Parts need to be ordered locally)

“F#” Frame No. (Applicable machine No.)

“O/S” Over Size

3. The number of components for assembly

- Parts, which are to be supplied in an assembly, are listed with a dot (.) in front of the part name as shown below.
- The numeral appearing to the right of each component part indicates the quantity of parts for each assembly unit.

PART NO.	DESCRIPTION	Q'TY	REMARKS
2F5-83310-60	FRONT FLASHER LIGHT ASSY	2	
115-83311-60	.BULB (6V-18W)	1	

4. Applicable colours of graphics are represented in the “REMARKS” as shown below.

PART NO.	DESCRIPTION	Q'TY	REMARKS
2N4-24110-00-X5	FUEL TANK COMP.	2	MXR
3J1-24240-10	.GRAPHIC, FUEL TANK	1	FOR MXR

5. Note that the illustrations for reference in finding parts numbers are not to be used for assembling. When assembling, please use the applicable service manual.

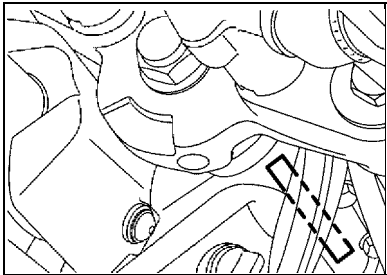
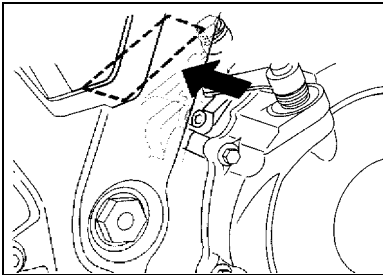
6. The asterisk (*) before a reference number indicates modified items after the first edition.

FOREWORD

7. Applicable Serial No.

Engine Serial No.

Frame Serial No.



8. Applicable Colour Code (The (*) mark shows Model colour.)

Abbreviation	Colour Name	Colour Code
BMC(*)	BLUE METALLIC C	0775
DRMU(*)	DULL RED METALLIC U	1176
LGB	LOW GLOSS BLACK	0098
SL	SILVER	0035
SMX(*)	BLACK METALLIC X	0903

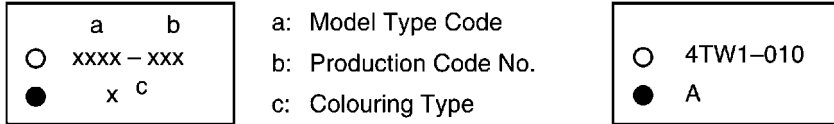
9. Quantity Column Information

Column No.	Name Of Q'ty Column	Destination
1	010	EUROPE
2	020	BELGIUM - NETHERLANDS
3	030	PORTUGAL

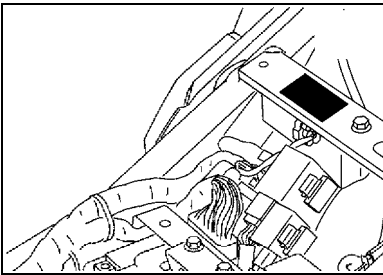
MODEL LABEL

(1) A label called "Model Label" is affixed in the location as indicated in (3) below. When using this parts catalogue, please be sure to cross-reference the "model code – production code No." in the catalogue with the "model code – production code No." indicated on the Model Label affixed onto the product concerned.

(2) "Model Label" Indication



(3) Model Label Affixing Location



(4) Colouring Information

Model Code	Colouring Type Code	Colour Code	Colour Name	Abbreviation
11D2	A	0775	BLUE METALLIC C	BMC
	B	0903	BLACK METALLIC X	SMX
	D	1176	DULL RED METALLIC U	DRMU

(5) Model Code – Production Code Number of Model Listed in This Parts Catalogue

Model Code	Production Code No.	Country (destination)	Model Code	Production Code No.	Country (destination)	
11D2	010	AUSTRIA				
		CZECHO				
		CROATIA				
		DENMARK				
		FINLAND				
		FRANCE				
		GERMANY				
		GREECE				
		HUNGARY				
		IRELAND				
		ITALY				
		NORWAY				
		POLAND				
		SLOVENIA				
		SPAIN				
	SWEDEN					
	SWITZERLAND					
	UNITED KINGDOM					
	SOUTH AFRICA					
		020	BELGIUM			
			NETHERLANDS			
	030	PORTUGAL				

CONTENTS

ENGINE

CYLINDER HEAD	1
CYLINDER	2
CRANKSHAFT & PISTON	3
VALVE	4
CAMSHAFT & CHAIN	5
WATER PUMP	6
RADIATOR & HOSE	7
OIL PUMP	9
INTAKE	11
INTAKE 2	13
AIR INDUCTION SYSTEM	14
EXHAUST	15
CRANKCASE	17
CRANKCASE COVER 1	18
STARTER	20
CLUTCH	21
TRANSMISSION	23
SHIFT CAM & FORK	25
SHIFT SHAFT	26

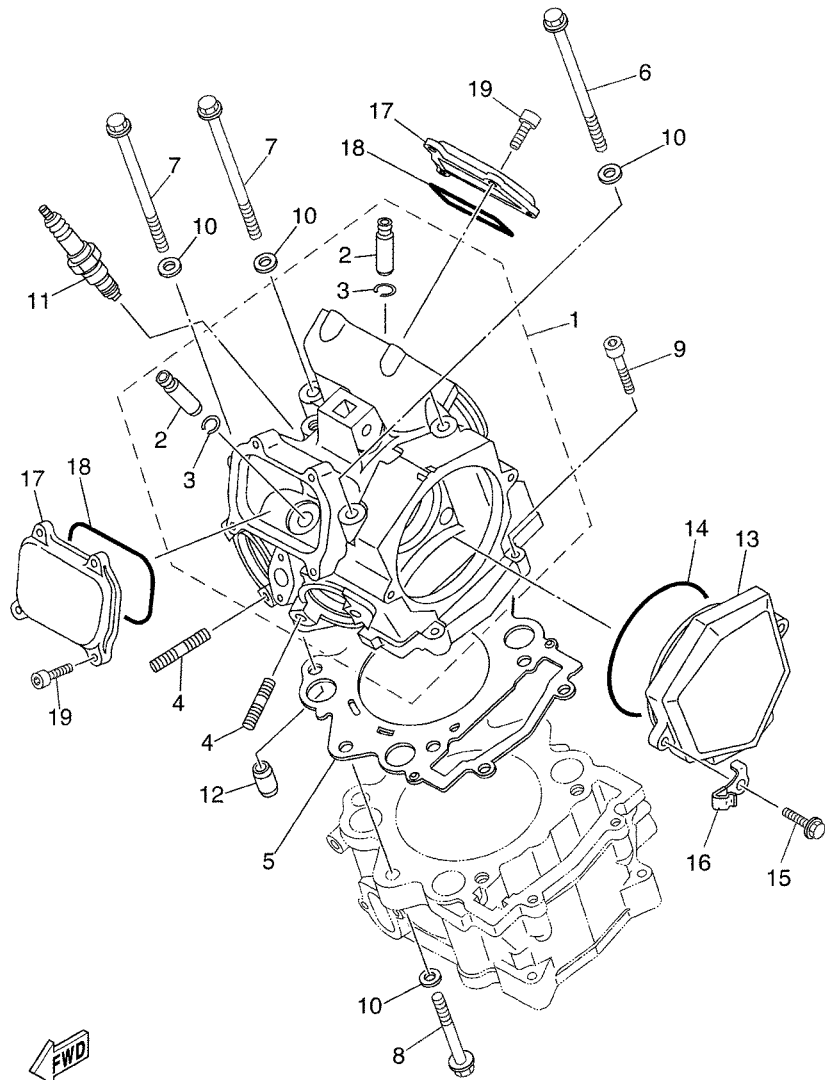
CHASSIS

FRAME	27
FENDER	29
REAR ARM	30
REAR SUSPENSION	32
STEERING	33
FRONT FORK	34
FUEL TANK	36
SEAT	38
FRONT WHEEL	40
FRONT BRAKE	41
REAR WHEEL	42
REAR BRAKE	44
STEERING HANDLE & CABLE	45
FRONT MASTER CYLINDER	46
STAND & FOOTREST	47
REAR MASTER CYLINDER	49
COWLING	51
GENERATOR	52
FLASHER LIGHT	53
METER	54

HEADLIGHT	55
TAILLIGHT	56
HANDLE SWITCH & LEVER	58
ELECTRICAL 1	59
ELECTRICAL 2	61

INDEX

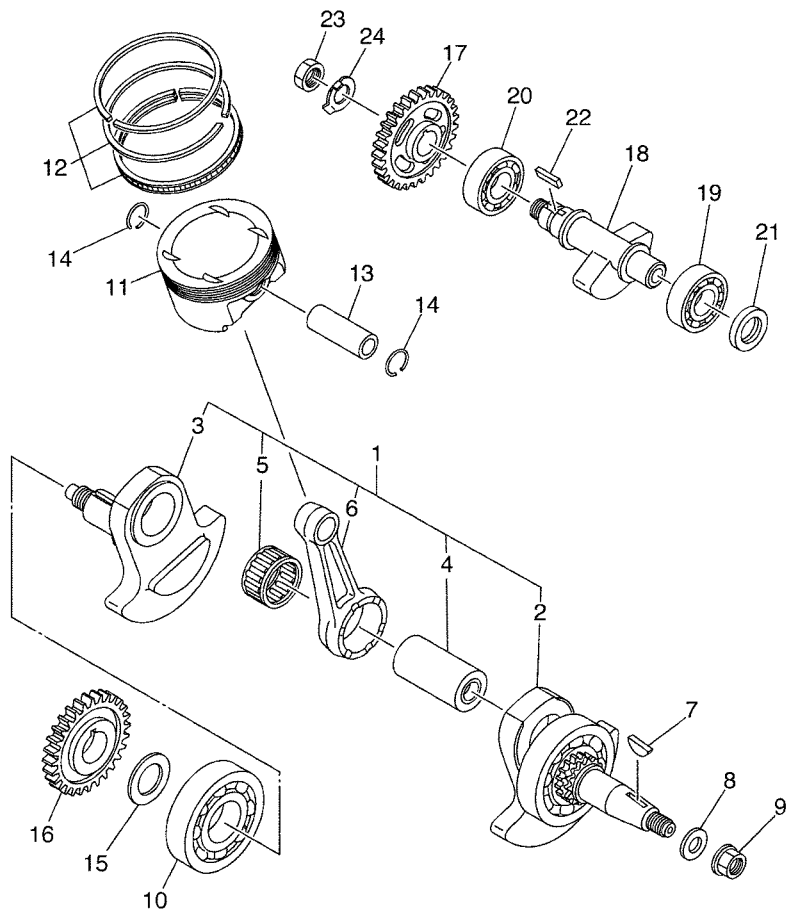
NUMERICAL INDEX	63
-----------------------	----



FWD
5VK8300-F010

FIG. 1 CYLINDER HEAD

REF. NO.	PART NO.	DESCRIPTION				REMARKS
			010	020	030	
1	5VK-E1101-00	CYLINDER HEAD ASSY	1	1	1	
2	4G0-11133-11	.GUIDE, VALVE 1	4	4	4	
3	93440-10X00	.CIRCLIP	4	4	4	
4	95617-08618	BOLT, STUD	4	4	4	
5	5VK-11181-00	GASKET, CYLINDER HEAD 1	1	1	1	
6	90105-09002	BOLT, FLANGE	2	2	2	
7	90105-09004	BOLT, FLANGE	2	2	2	
8	90105-09003	BOLT, FLANGE	2	2	2	
9	91317-06030	BOLT	2	2	2	
10	90201-096J9	WASHER, PLATE	6	6	6	
11	94701-00X09	PLUG, SPARK (NGK CR7E)	1	1	1	
12	93612-16X00	PIN, DOWEL	2	2	2	
13	5VK-E1185-00	COVER, CYLINDER HEAD SIDE 3	1	1	1	
14	93210-96X00	O-RING	1	1	1	
15	90105-06X06	BOLT, FLANGE	2	2	2	
16	90465-10044	CLAMP	1	1	1	
17	5VK-E1186-00	COVER, CYLINDER HEAD SIDE 2	2	2	2	
18	93210-78X00	O-RING	2	2	2	
19	91317-06018	BOLT	8	8	8	




 5VK1300-C030

FIG. 3 CRANKSHAFT & PISTON

REF. NO.	PART NO.	DESCRIPTION	010	020	030	REMARKS
1	5VK-11400-00	CRANKSHAFT ASSY	1	1	1	
2	5VK-11401-09	.CRANK SUB ASSY 1	1	1	1	
3	5VK-11422-00	.CRANK 2	1	1	1	
4	5VK-11681-00	.PIN, CRANK 1	1	1	1	
5	93310-84010	.BEARING	1	1	1	
6	5VK-11651-00	.ROD, CONNECTING	1	1	1	
7	90280-05001	KEY, WOODRUFF	1	1	1	
8	90201-16013	WASHER, PLATE	1	1	1	
9	90179-16448	NUT	1	1	1	
10	93306-308Y0	BEARING	1	1	1	
11	5VK-11631-00	PISTON (STD)	1	1	1	
12	5VK-11603-00	PISTON RING SET (STD)	1	1	1	
13	5VK-11633-00	PIN, PISTON	1	1	1	
14	93450-24824	CIRCLIP	2	2	2	
15	90201-30X00	WASHER, PLATE	1	1	1	
16	5VK-E1536-00	GEAR, DRIVE	1	1	1	
17	5VK-E1531-00	GEAR, BALANCE WEIGHT	1	1	1	
18	5VK-E1454-00	WEIGHT 1	1	1	1	
19	93306-305YJ	BEARING	1	1	1	
20	93306-305YH	BEARING	1	1	1	
21	93101-25106	OIL SEAL	1	1	1	
22	90282-05058	KEY, STRAIGHT	1	1	1	
23	90170-18003	NUT	1	1	1	
24	90215-18X00	WASHER, LOCK	1	1	1	

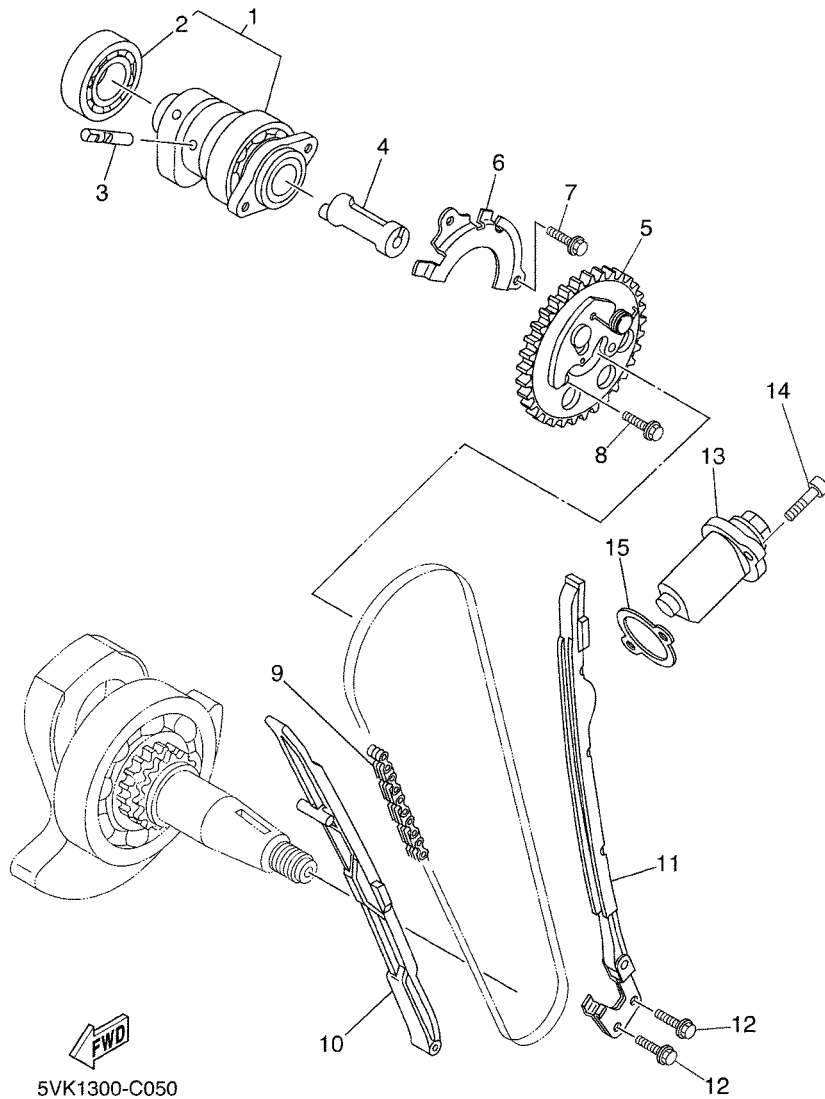
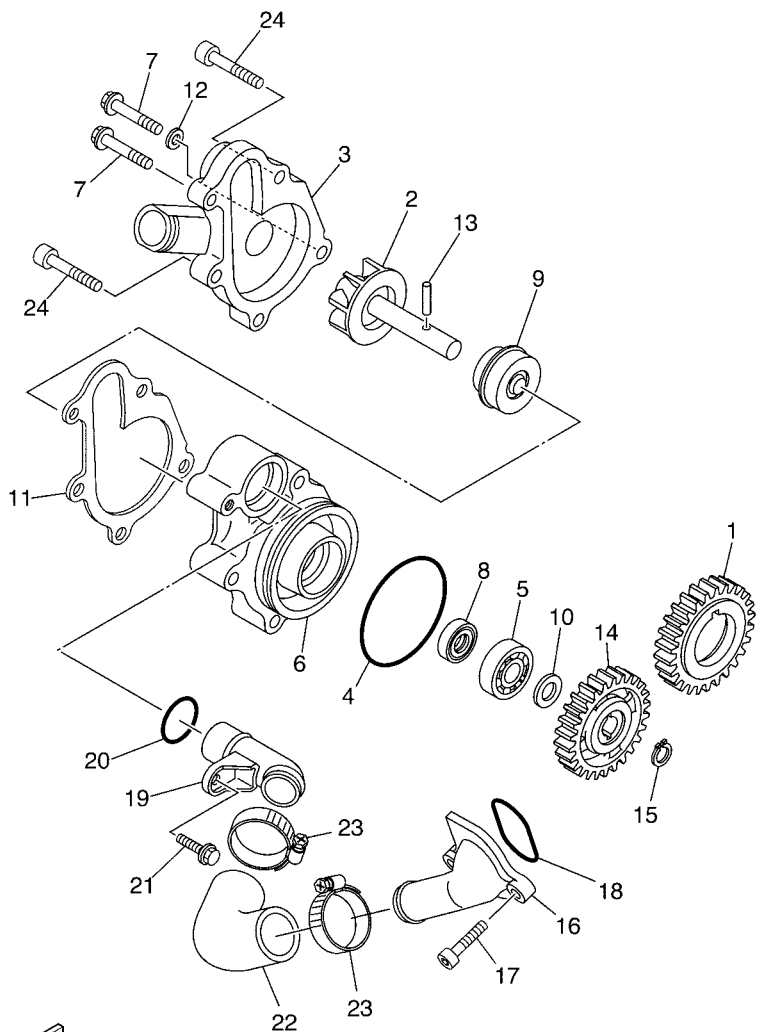


FIG. 5 CAMSHAFT & CHAIN

REF. NO.	PART NO.	DESCRIPTION	010	020	030	REMARKS
1	5VK-E2170-10	CAMSHAFT ASSY 1	1	1	1	
2	93306-07209	.BEARING	1	1	1	
3	5VK-12284-00	PIN, DECOMPRESSION LEVER	1	1	1	
4	5VK-12290-00	LEVER, DECOMPRESSION SPRING	1	1	1	
5	5VK-12280-01	DECOMPRESSION ASSY	1	1	1	
6	5VK-E111F-00	PLATE	1	1	1	
7	95027-06012	BOLT, FLANGE	2	2	2	
8	90105-07004	BOLT, FLANGE	2	2	2	
9	94591-57126	CHAIN (98XRH2010-126M)	1	1	1	
10	5VK-E2231-00	GUIDE, STOPPER 1	1	1	1	
11	5VK-E2241-00	GUIDE, STOPPER 2	1	1	1	
12	90119-06X05	BOLT, WITH WASHER	2	2	2	
13	5VK-E2210-00	TENSIONER ASSY, CAM CHAIN	1	1	1	
14	91317-06025	BOLT	2	2	2	
15	4DW-12213-00	GASKET, TENSIONER CASE	1	1	1	

FIG. 6 WATER PUMP

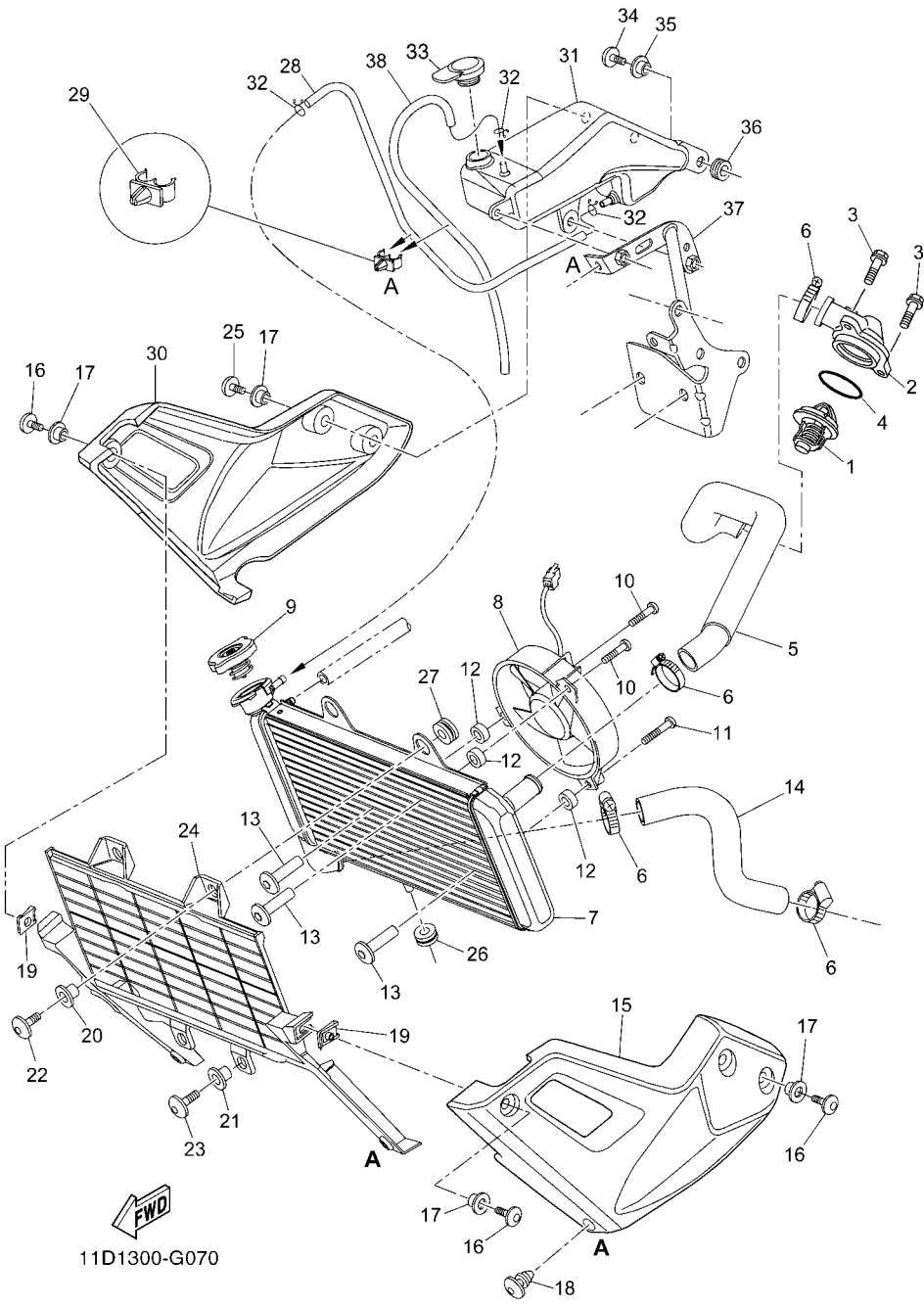


FWD
5YK1300-E060

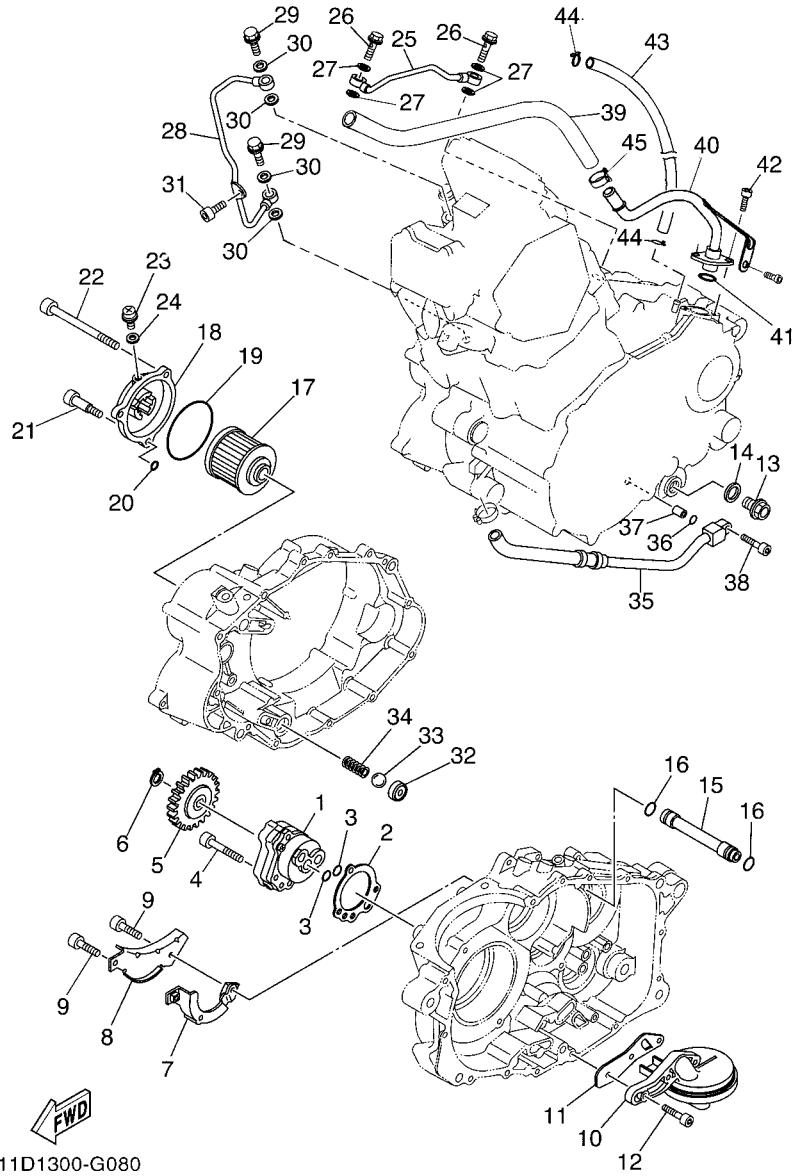
REF. NO.	PART NO.	DESCRIPTION	010	020	030	REMARKS
1	5VK-E2436-00	GEAR, DRIVE	1	1	1	
2	5VK-12450-00	IMPELLER SHAFT ASSY	1	1	1	
3	5VK-12422-00	COVER, HOUSING	1	1	1	
4	93210-61750	O-RING	1	1	1	
5	93306-00106	BEARING	1	1	1	
6	5VK-12421-00	HOUSING, WATER PUMP	1	1	1	
7	95027-06025	BOLT, FLANGE	2	2	2	
8	93101-12173	OIL SEAL	1	1	1	
9	11H-12438-10	SEAL, MECHANICAL	1	1	1	
10	90201-12541	WASHER, PLATE	1	1	1	
11	5VK-12428-00	GASKET, HOUSING COVER 2	1	1	1	
12	90430-06014	GASKET	1	1	1	
13	93603-16219	PIN, DOWEL	1	1	1	
14	5VK-12459-00	GEAR, IMPELLER SHAFT	1	1	1	
15	99009-12400	CIRCLIP	1	1	1	
16	5VK-E2469-00	JOINT 1	1	1	1	
17	91317-06020	BOLT	2	2	2	
18	93210-33X00	O-RING	1	1	1	
19	5VK-12481-00	PIPE 1	1	1	1	
20	93210-21X00	O-RING	1	1	1	
21	91317-06012	BOLT	1	1	1	
22	5VK-E2577-00	HOSE 2	1	1	1	
23	90450-32X03	HOSE CLAMP ASSY	2	2	2	
24	91317-06050	BOLT	3	3	3	

FIG. 7 RADIATOR & HOSE

REF. NO.	PART NO.	DESCRIPTION	010	020	030	REMARKS
1	5VK-12410-00	THERMOSTAT ASSY	1	1	1	
2	5VK-E2413-00	COVER, THERMOSTAT	1	1	1	
3	90105-06X06	BOLT, FLANGE	2	2	2	
4	93210-41X00	O-RING	1	1	1	
5	11D-E2578-00	HOSE 3	1	1	1	
6	90450-32X03	HOSE CLAMP ASSY	4	4	4	
7	11D-E2461-00	RADIATOR ASSY	1	1	1	
8	11D-E2405-00	BLOWER ASSY	1	1	1	
9	5VK-E2462-00	CAP, RADIATOR	1	1	1	
10	5B2-E2675-00	BOLT, BLOWER HOLDING	2	2	2	
11	5B2-E2623-00	BOLT	1	1	1	
12	5B2-E2671-00	NUT 1	3	3	3	
13	11D-E2662-00	COLLAR 1	3	3	3	
14	11D-E2579-00	HOSE 4	1	1	1	
15	11D-E240J-00	RADIATOR COVER ASSY1	1	1	1	
16	90111-06X19	BOLT, HEX. SOCKET BUTTON	4	4	4	
17	90387-06X02	COLLAR	6	6	6	
18	90269-07007	RIVET	2	2	2	
19	2VW-F1736-00	NUT, PLATE	2	2	2	
20	90387-06042	COLLAR	2	2	2	
21	90387-06648	COLLAR	2	2	2	
22	90111-06X20	BOLT, HEX. SOCKET BUTTON	2	2	2	
23	90111-06X19	BOLT, HEX. SOCKET BUTTON	2	2	2	
24	11D-E2498-00	PROTECTOR	1	1	1	
25	90111-06X17	BOLT, HEX. SOCKET BUTTON	2	2	2	
26	90480-15363	GROMMET	1	1	1	
27	90480-18276	GROMMET	2	2	2	



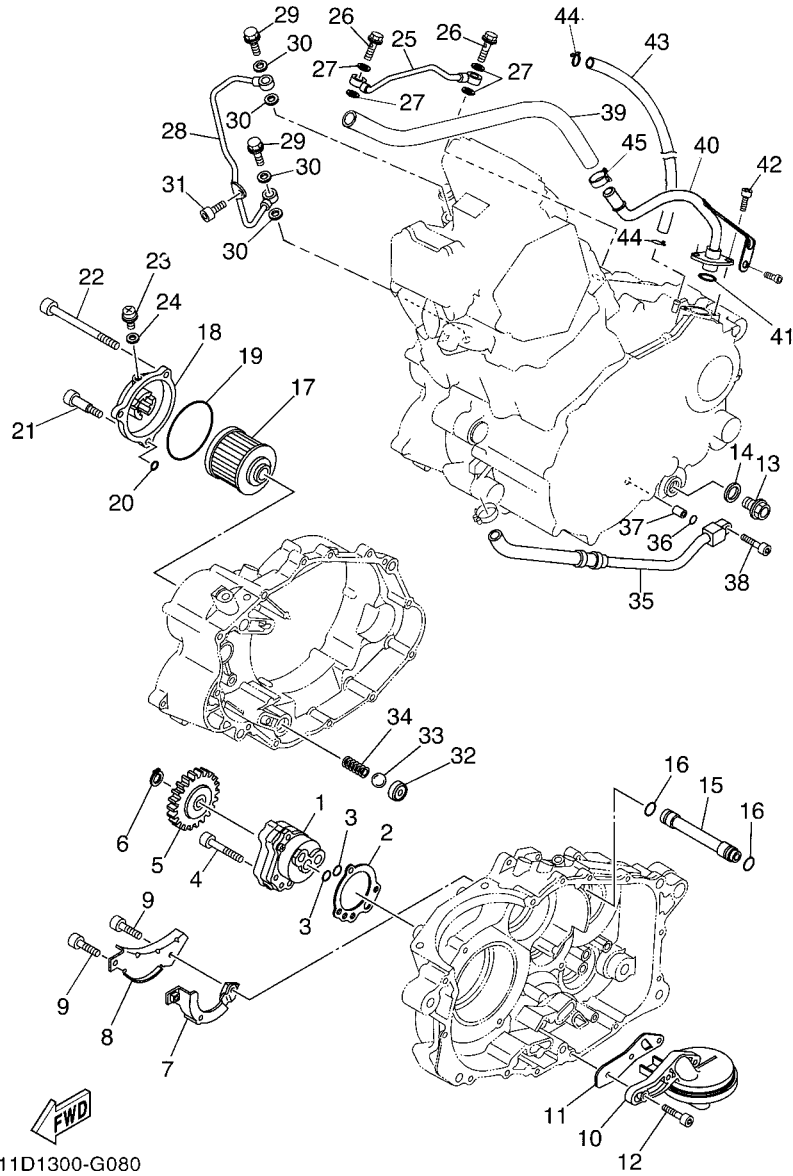
11D1300-G070



11D1300-G080

FIG. 8 OIL PUMP

REF. NO.	PART NO.	DESCRIPTION	010	020	030	REMARKS
1	5VK-E3300-00	OIL PUMP ASSY	1	1	1	
2	5LP-13329-00	GASKET, PUMP COVER	1	1	1	
3	93210-13X00	O-RING	2	2	2	
4	92017-06035	BOLT, BUTTON HEAD	3	3	3	
5	3AJ-13325-00	GEAR, PUMP DRIVEN	1	1	1	
6	93410-11X00	CIRCLIP	1	1	1	
7	5VK-E3356-00	COVER, PUMP 2	1	1	1	
8	5VK-E3327-00	COVER, PUMP GEAR	1	1	1	
9	91317-05008	BOLT	2	2	2	
10	5VK-WE343-00	STRAINER COMP.	1	1	1	
11	5VK-E3415-10	SEAL, OIL STRAINER	1	1	1	
12	91317-06020	BOLT	3	3	3	
13	90340-14132	PLUG, STRAIGHT SCREW	1	1	1	
14	214-11198-01	GASKET	1	1	1	
15	5VK-E3181-00	PIPE, DELIVERY 3	1	1	1	
16	93210-11X00	O-RING	2	2	2	
17	4X7-13440-01	ELEMENT ASSY, OIL CLEANER	1	1	1	
18	2WK-13447-00	COVER, OIL ELEMENT	1	1	1	
19	93210-64X01	O-RING	1	1	1	
20	93210-07X01	O-RING	1	1	1	
21	90109-06419	BOLT	1	1	1	
22	91317-06095	BOLT	2	2	2	
23	90149-05110	SCREW	1	1	1	
24	90430-05X00	GASKET	1	1	1	
25	5VK-13161-00	PIPE, DELIVERY 1	1	1	1	
26	90401-08133	BOLT, UNION	2	2	2	
27	90430-08X01	GASKET	4	4	4	



11D1300-G080

FIG. 8 OIL PUMP

REF. NO.	PART NO.	DESCRIPTION	010	020	030	REMARKS
28	5VK-13171-00	PIPE, DELIVERY 2	1	1	1	
29	90401-10096	BOLT, UNION	2	2	2	
30	90430-10X00	GASKET	4	4	4	
31	91317-06012	BOLT	1	1	1	
32	583-13113-00	SEAT, CHECK BALL	1	1	1	
33	93503-08007	BALL	1	1	1	
34	90501-04X01	SPRING, COMPRESSION	1	1	1	
35	5VK-13464-00	HOSE, OIL 1	1	1	1	
36	93210-10X00	O-RING	1	1	1	
37	91810-14X00	PIN, DOWEL	1	1	1	
38	91317-06025	BOLT	1	1	1	
39	11D-13467-00	HOSE	1	1	1	
40	11D-13405-00	OIL PIPE COMP. 1	1	1	1	
41	93210-15X00	O-RING	1	1	1	
42	91317-06016	BOLT	2	2	2	
43	90445-11X01	HOSE	1	1	1	
44	90467-10008	CLIP	2	2	2	
45	90450-20X01	HOSE CLAMP ASSY	1	1	1	

FIG. 9 INTAKE

REF. NO.	PART NO.	DESCRIPTION	010	020	030	REMARKS
1	5VK-E3586-10	JOINT, CARBURETOR 1	1	1	1	
2	90450-72001	HOSE CLAMP ASSY	2	2	2	
3	11D-E4453-00	JOINT, AIR CLEANER 1	1	1	1	
4	90450-59001	HOSE CLAMP ASSY	1	1	1	
5	11D-E441A-00	COVER, CLEANER CASE 1	1	1	1	
6	9770M-50030	SCREW, TAPPING	13	13	13	
7	11D-E4452-00	SEAL	1	1	1	
8	11D-E4411-00	CASE, AIR CLEANER 1	1	1	1	
9	11D-E4451-00	ELEMENT, AIR CLEANER	1	1	1	
10	11D-E4430-00	DUCT ASSY	1	1	1	
11	92507-06012	SCREW, PAN HEAD	4	4	4	
12	92907-06600	WASHER, PLATE	4	4	4	
13	11D-E441E-00	COVER, CLEANER CASE 2	1	1	1	
14	11D-E4457-00	SEAL	1	1	1	
15	11D-E443E-00	PIPE, DRAIN	1	1	1	
16	90467-11090	CLIP	1	1	1	
17	90467-12085	CLIP	1	1	1	
18	90467-17801	CLIP	1	1	1	
19	11D-E1167-00	PIPE, BREATHER 2	1	1	1	
20	90467-14800	CLIP	1	1	1	
21	11D-E5371-10	BREATHER	1	1	1	
22	5YK-E244G-00	HOSE, 4	1	1	1	
23	90467-11108	CLIP	1	1	1	
24	90467-11090	CLIP	1	1	1	
25	90467-07138	CLIP	2	2	2	
26	11D-E3542-00	HOSE, VACUUM SENSING 1	1	1	1	
27	90467-17128	CLIP	1	1	1	

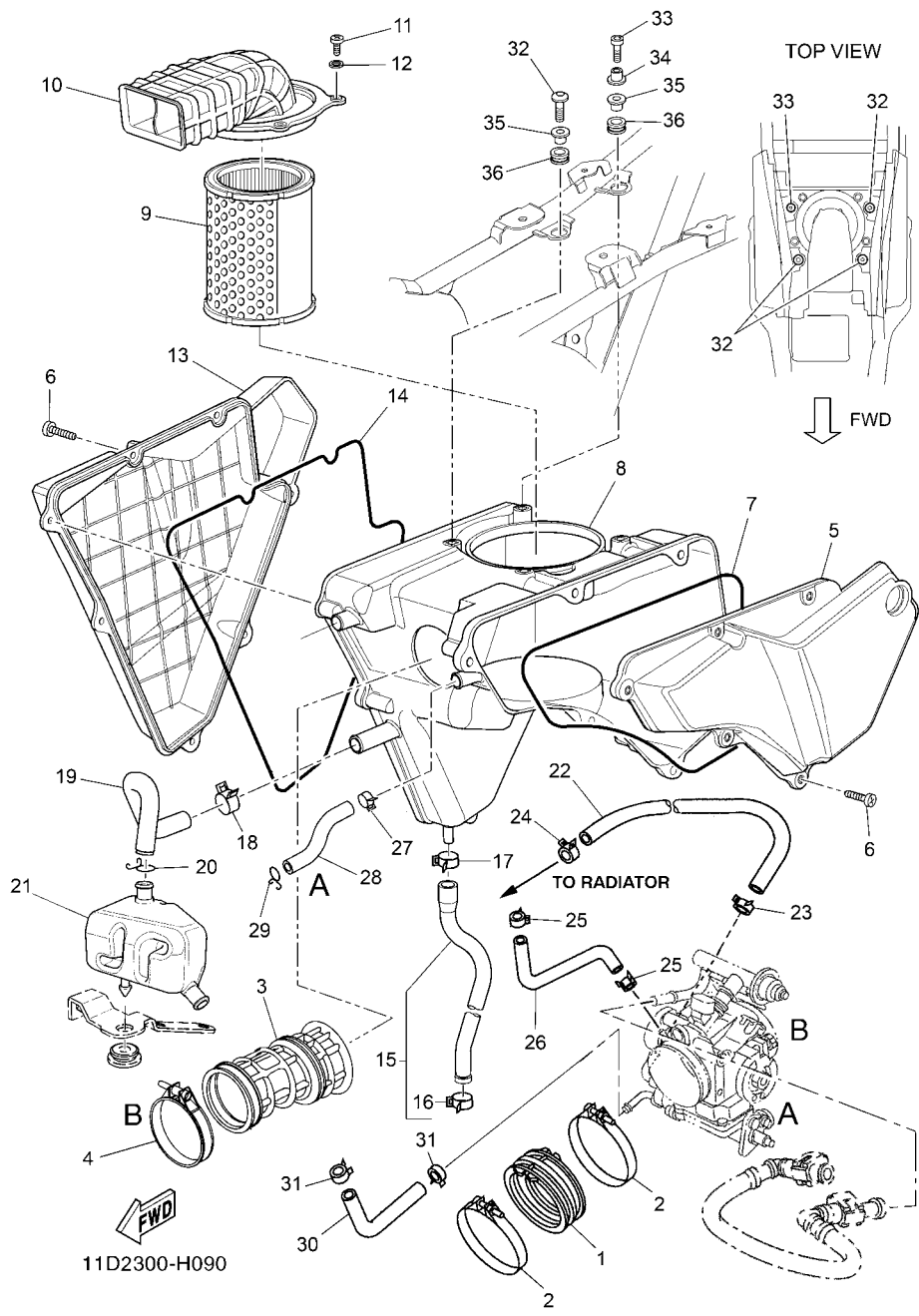
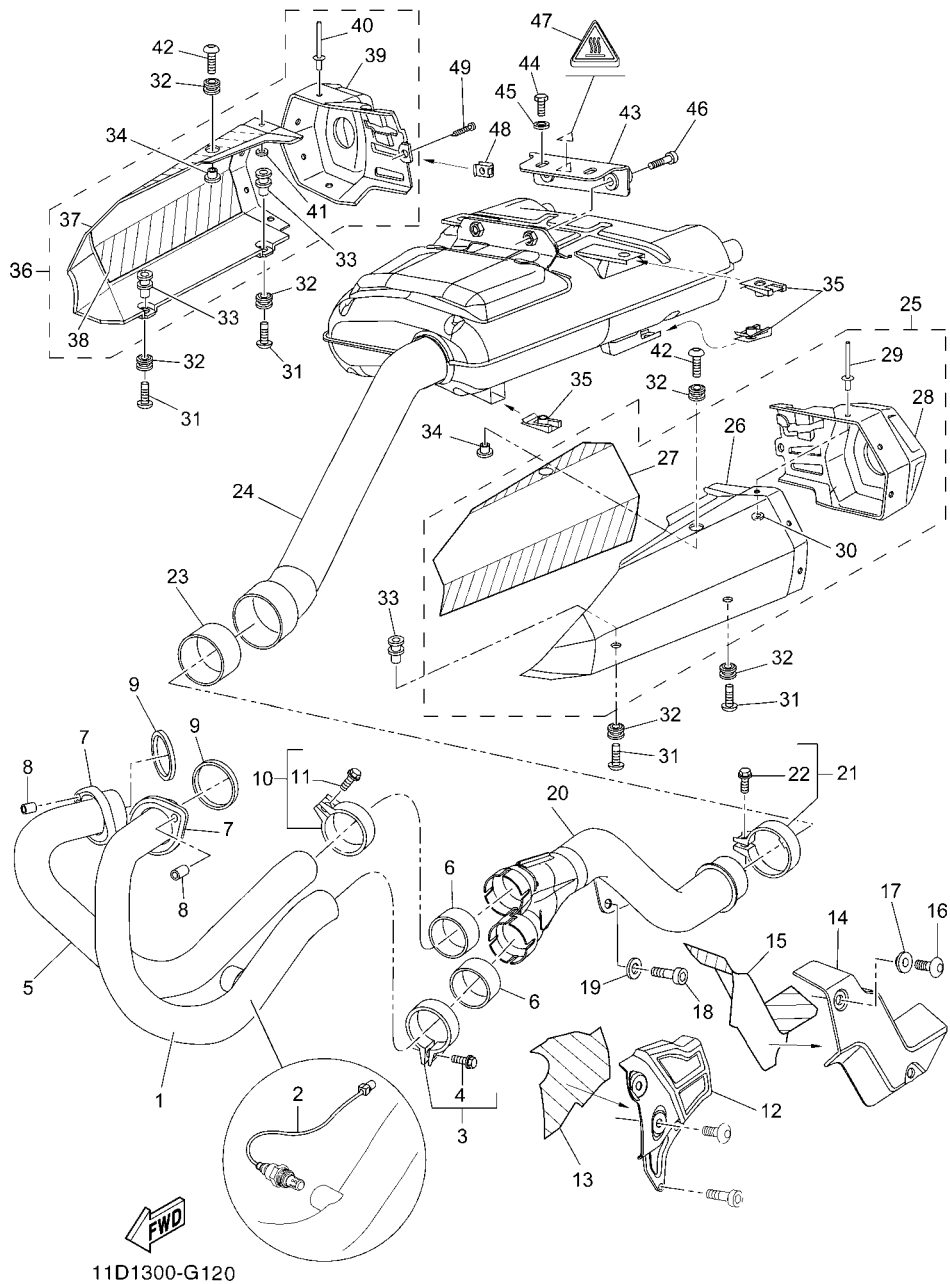
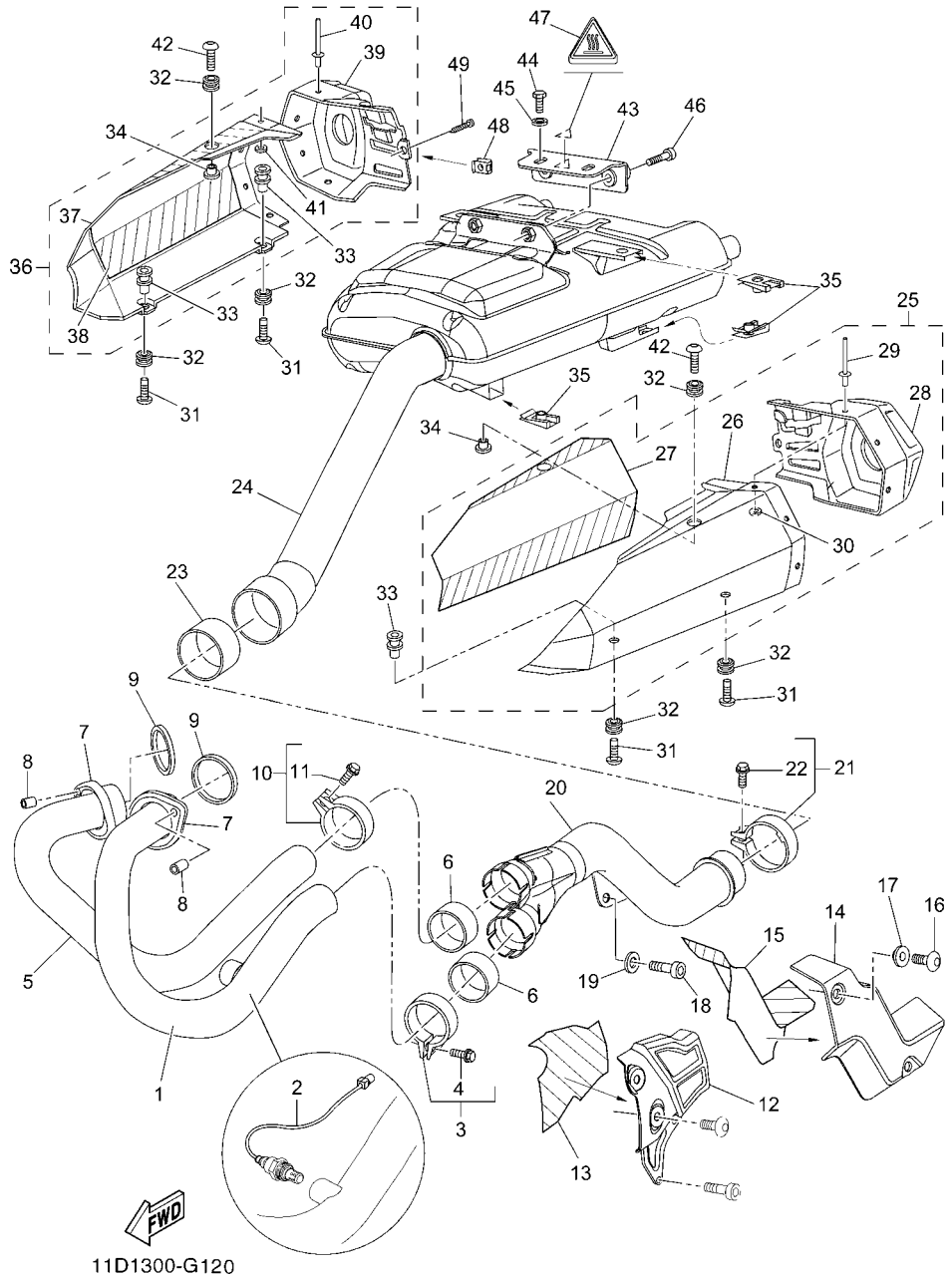


FIG. 12 EXHAUST

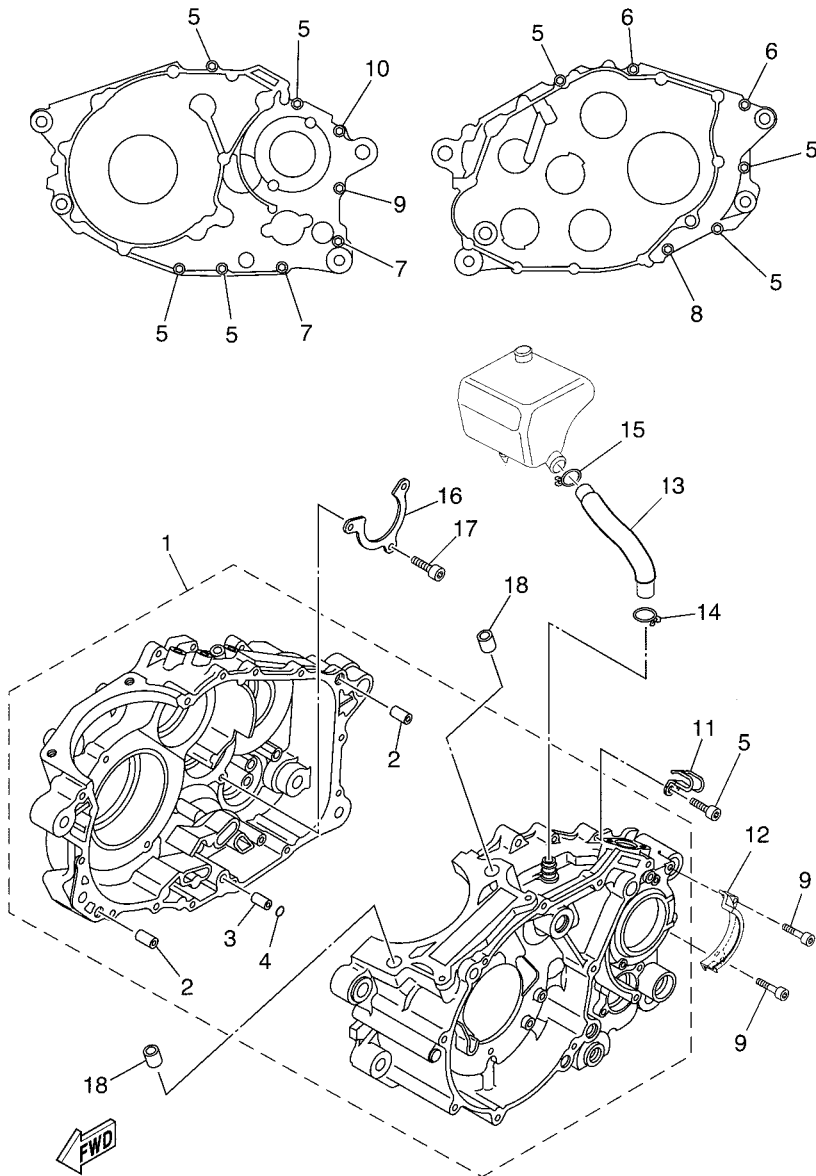


REF. NO.	PART NO.	DESCRIPTION	010	020	030	REMARKS
1	5YK-E4611-10	PIPE, EXHAUST 1	1	1	1	
2	1B9-8592A-00	SENSOR, OXYGEN	1	1	1	
3	5YK-E477R-00	BAND 1	1	1	1	
4	90105-08X20	.BOLT, FLANGE	1	1	1	
5	5YK-E4621-00	PIPE, EXHAUST 2	1	1	1	
6	4EL-14714-00	GASKET, MUFFLER	2	2	2	
7	5YK-E4612-00	NUT, RING	1	1	1	
8	90179-08442	NUT	4	4	4	
9	3YF-14613-01	GASKET, EXHAUST PIPE	2	2	2	
10	5YK-E477T-00	BAND 2	1	1	1	
11	90105-08X20	.BOLT, FLANGE	1	1	1	
12	11D-E4628-00	PROTECTOR, EXHAUST PIPE	1	1	1	
13	11D-E113B-00	INSULATOR 3	1	1	1	
14	11D-E4624-00	COVER, EXHAUST	1	1	1	
15	11D-E113B-10	INSULATOR 3	1	1	1	
16	90111-06X17	BOLT, HEX. SOCKET BUTTON	2	2	2	
17	90387-06X02	COLLAR	2	2	2	
18	91380-08020	BOLT	1	1	1	
19	5CH-E4766-00	WASHER, PROTECTOR	1	1	1	
20	11D-E4631-00	PIPE, EXHAUST 3	1	1	1	
21	11D-E4715-00	BAND, MUFFLER	1	1	1	
22	90105-08X20	.BOLT, FLANGE	1	1	1	
23	5YK-E4714-00	GASKET, MUFFLER	1	1	1	
24	11D-E4710-00	MUFFLER ASSY 1	1	1	1	
25	11D-E4708-00	PROTECTOR ASSY	1	1	1	
26	11D-E4718-00	.PROTECTOR, MUFFLER 1	1	1	1	
27	11D-E111B-00	.INSULATOR 1	1	1	1	

FIG. 12 EXHAUST



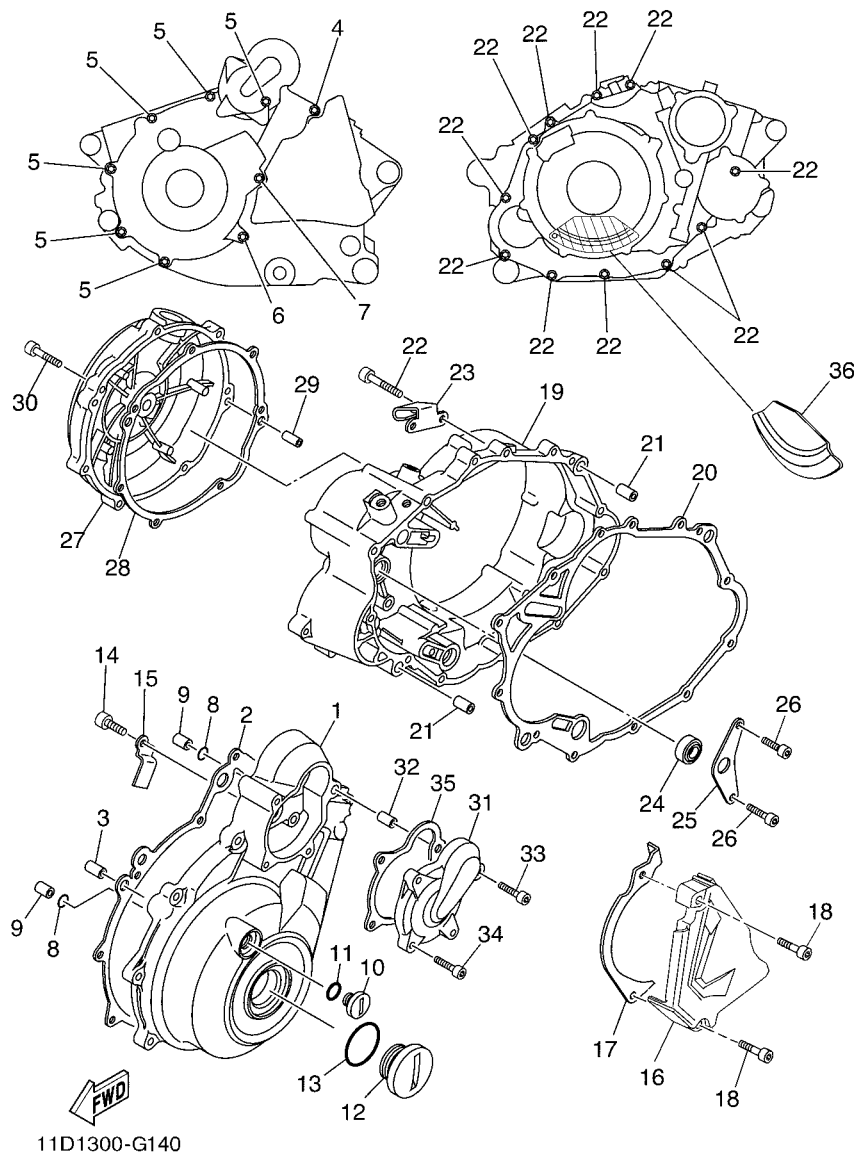
REF. NO.	PART NO.	DESCRIPTION	010	020	030	REMARKS
28	11D-E4787-00	.CAP, SILENCER	1	1	1	
29	90267-40X01	.RIVET, BLIND	4	4	4	
30	9290L-04600	.WASHER	4	4	4	
31	90111-06068	BOLT,HEX. SOCKET BUTTON	4	4	4	
32	90480-12581	GROMMET	6	6	6	
33	11D-E4648-00	COLLAR 2	4	4	4	
34	90387-06X36	COLLAR	2	2	2	
35	2VW-F1736-00	NUT,PLATE	6	6	6	
36	11D-E4708-10	PROTECTOR ASSY	1	1	1	
37	11D-E4728-00	.PROTECTOR, MUFFLER 2	1	1	1	
38	11D-E112B-00	.INSULATOR 2	1	1	1	
39	11D-E4798-00	.CAP, SILENCER 2	1	1	1	
40	90267-40X01	.RIVET, BLIND	4	4	4	
41	9290L-04600	.WASHER	4	4	4	
42	90111-06023	BOLT,HEX. SOCKET BUTTON	2	2	2	
43	11D-E4770-00	STAY, MUFFLER 1	1	1	1	
44	95817-08014	BOLT, FLANGE	2	2	2	
45	90201-086A3	WASHER, PLATE	2	2	2	
46	91380-08030	BOLT	2	2	2	
47	5YK-F117B-A0	LABEL, WARNING	1	1	1	
48	5DS-F8317-00	NUT, EMBLEM	1	1	1	
49	90167-04X00	SCREW, TAPPING	1	1	1	



11D1300-G130

FIG. 13 CRANKCASE

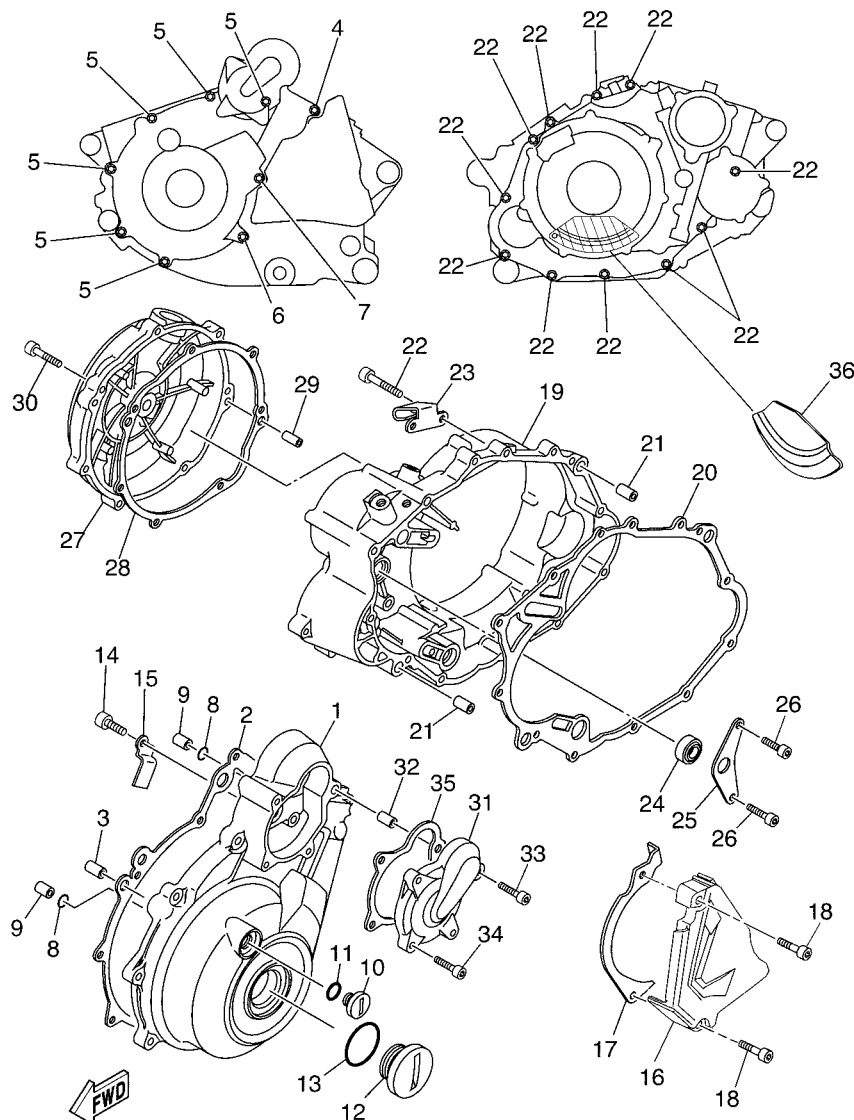
REF. NO.	PART NO.	DESCRIPTION	010	020	030	REMARKS
1	5VK-E5100-00	CRANKCASE ASSY	1	1	1	
2	99530-12016	.PIN, DOWEL	2	2	2	
3	91808-16X00	.PIN, DOWEL	1	1	1	
4	93210-07X01	.O-RING	1	1	1	
5	91317-06030	BOLT	7	7	7	
6	91317-06045	BOLT	2	2	2	
7	91317-06055	BOLT	2	2	2	
8	91317-06060	BOLT	1	1	1	
9	91317-06080	BOLT	1	1	1	
10	91317-06090	BOLT	1	1	1	
11	90462-07X00	CLAMP	1	1	1	
12	11D-E5492-01	COVER	1	1	1	
13	5YK-E1166-00	PIPE, BREATHER 1	1	1	1	
14	90467-14015	CLIP	1	1	1	
15	90467-14015	CLIP	1	1	1	
16	5VK-E5383-00	PLATE, BEARING COVER	1	1	1	
17	91317-06016	BOLT	3	3	3	
18	99530-14016	PIN, DOWEL	2	2	2	



11D1300-G140

FIG. 14 CRANKCASE COVER 1

REF. NO.	PART NO.	DESCRIPTION	010	020	030	REMARKS
1	5VK-WE541-00	CRANKCASE COVER ASSY 1	1	1	1	
2	5VK-E5451-10	GASKET, CRANKCASE COVER 1	1	1	1	
3	99530-12016	PIN, DOWEL	2	2	2	
4	91317-06035	BOLT	1	1	1	
5	91317-06025	BOLT	6	6	6	
6	91317-06050	BOLT	1	1	1	
7	91317-06050	BOLT	1	1	1	
8	93210-13X00	O-RING	2	2	2	
9	99530-12016	PIN, DOWEL	2	2	2	
10	90340-14X00	PLUG, STRAIGHT SCREW	1	1	1	
11	93210-14X00	O-RING	1	1	1	
12	90340-36X00	PLUG, STRAIGHT SCREW	1	1	1	
13	93210-35X00	O-RING	1	1	1	
14	91317-06012	BOLT	1	1	1	
15	90462-16X00	CLAMP	1	1	1	
16	11D-E5421-00	COVER, CRANKCASE 2	1	1	1	
17	5VK-E7466-00	GUIDE, CHAIN	1	1	1	
18	91317-06045	BOLT	2	2	2	
19	5VK-E5431-00	COVER, CRANKCASE 3	1	1	1	
20	5VK-E5462-10	GASKET, CRANKCASE COVER 3	1	1	1	
21	99530-12016	PIN, DOWEL	2	2	2	
22	91317-06030	BOLT	11	11	11	
23	5VK-E5441-01	HOLDER, CLUTCH CABLE	1	1	1	
24	93101-14164	OIL SEAL	1	1	1	
25	5VK-E5118-00	HOLDER	1	1	1	
26	91317-06012	BOLT	2	2	2	
27	5VK-E5416-00	COVER, OIL PUMP	1	1	1	



11D1300-G140

FIG. 14 CRANKCASE COVER 1

REF. NO.	PART NO.	DESCRIPTION	010	020	030	REMARKS
28	5VK-E5453-10	GASKET	1	1	1	
29	91808-16X00	PIN, DOWEL	2	2	2	
30	90105-06X20	BOLT, FLANGE	7	7	7	
31	5VK-WE544-00	GENERATOR COVER ASSY	1	1	1	
32	91808-16X00	PIN, DOWEL	1	1	1	
33	91317-06035	BOLT	1	1	1	
34	91317-06025	BOLT	3	3	3	
35	5VK-15455-00	GASKET 1	1	1	1	
36	11D-E5491-00	PROTECTOR	1	1	1	

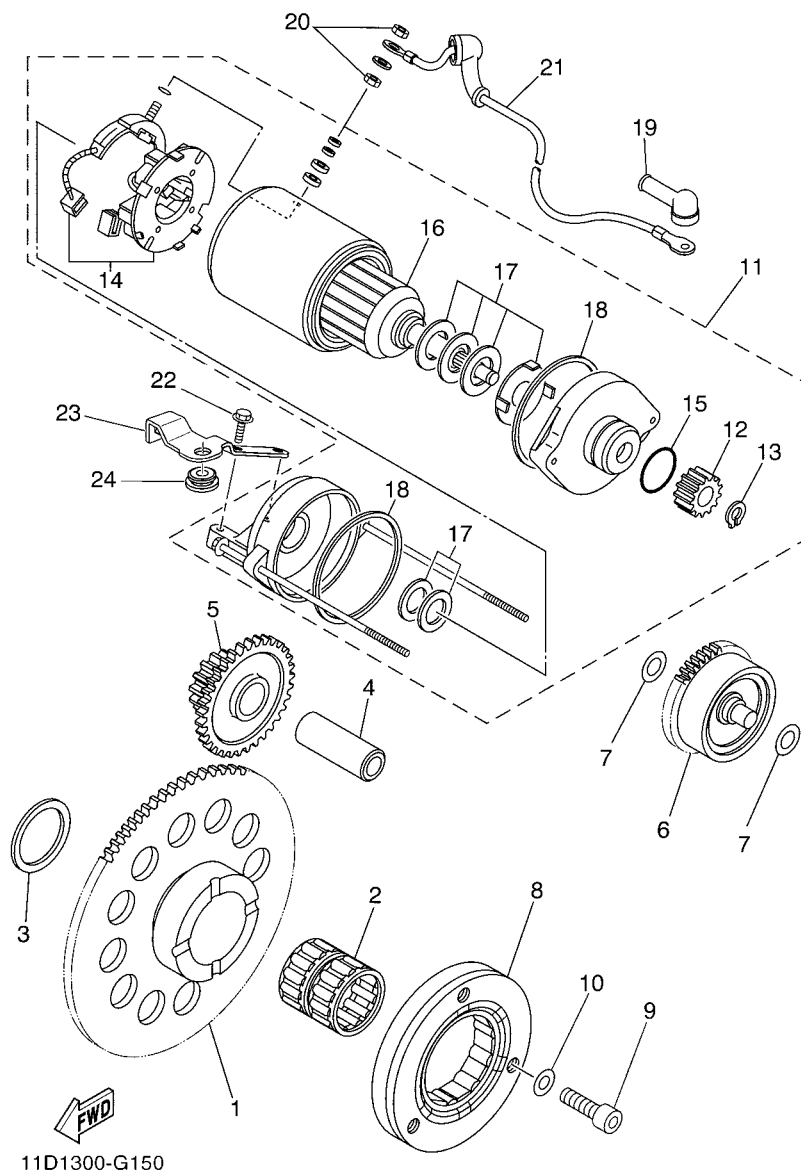


FIG. 15 STARTER

REF. NO.	PART NO.	DESCRIPTION	010	020	030	REMARKS
1	3YF-15515-00	GEAR 3	1	1	1	
2	93310-530C7	BEARING	1	1	1	
3	90201-30X01	WASHER, PLATE	1	1	1	
4	5VK-E5522-00	SHAFT 2	1	1	1	
5	5VK-E5517-00	GEAR, IDLER 2	1	1	1	
6	5VK-E5560-00	DAMPER ASSY	1	1	1	
7	90201-10X18	WASHER, PLATE	2	2	2	
8	5VK-15590-00	STARTER ONE-WAY ASSY	1	1	1	
9	91317-08025	BOLT	3	3	3	
10	90201-08X18	WASHER, PLATE	3	3	3	
11	3SX-H1890-00	MOTOR ASSY	1	1	1	
12	5VK-E5511-00	.GEAR, STARTING MOTOR	1	1	1	
13	93440-11024	.CIRCLIP	1	1	1	
14	5VK-H1801-00	.BRUSH SET	1	1	1	
15	5VK-H1847-00	.O-RING	1	1	1	
16	5VK-H1850-00	.ARMATURE ASSY	1	1	1	
17	5VK-H1809-00	.WASHER KIT	1	1	1	
18	5VK-H1844-00	.GASKET	2	2	2	
19	5VK-H1871-00	CAP	1	1	1	
20	5VK-H182A-00	NUT	2	2	2	
21	5VK-H1815-00	CORD, STARTER MOTOR	1	1	1	
22	95817-06035	BOLT, FLANGE	2	2	2	
23	11D-E5199-00	BRACKET	1	1	1	
24	90480-13398	GROMMET	1	1	1	

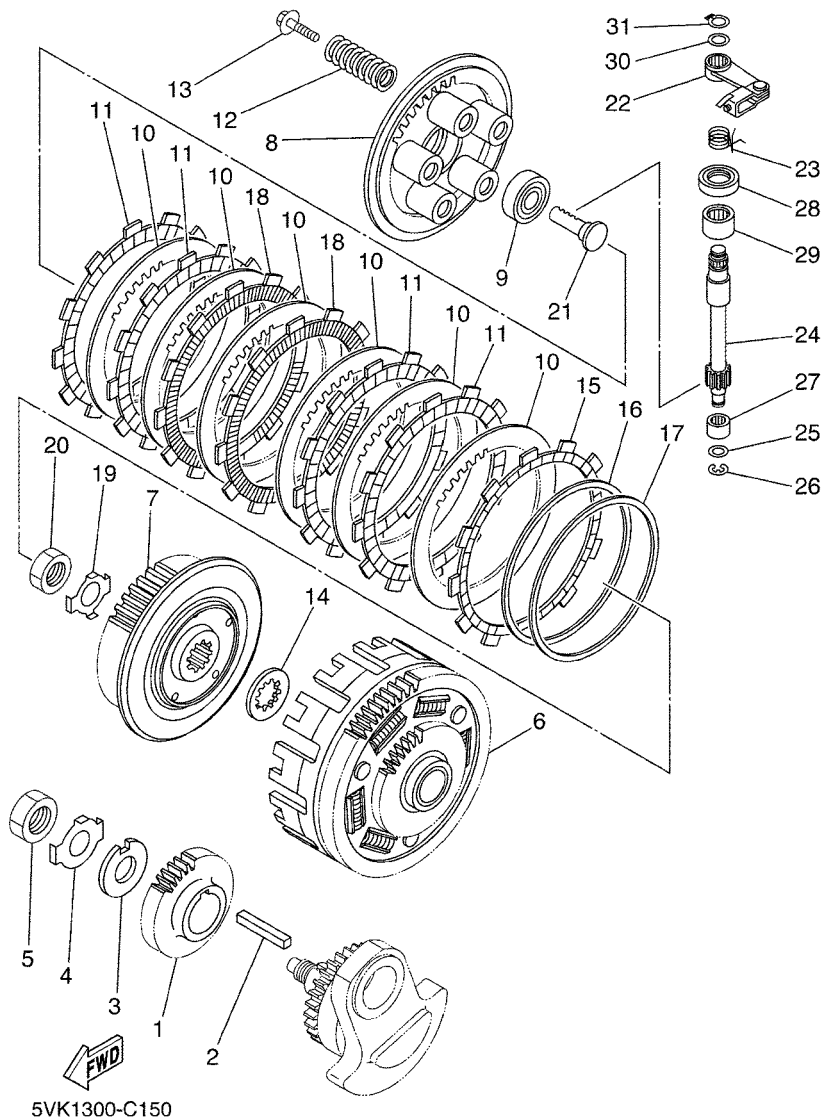


FIG. 16 CLUTCH

REF. NO.	PART NO.	DESCRIPTION	010	020	030	REMARKS
1	5VK-E6111-00	GEAR, PRIMARY DRIVE	1	1	1	
2	90282-07001	KEY, STRAIGHT	1	1	1	
3	90209-20012	WASHER	1	1	1	
4	90215-20X00	WASHER, LOCK	1	1	1	
5	90170-20274	NUT	1	1	1	
6	5VK-E6150-00	PRIMARY DRIVEN GEAR COMP.	1	1	1	
7	5VK-16371-00	BOSS, CLUTCH	1	1	1	
8	5VK-16351-00	PLATE, PRESSURE 1	1	1	1	
9	93306-00304	BEARING	1	1	1	
10	4X7-16325-00	PLATE, CLUTCH 2	6	6	6	
11	22U-16321-00	PLATE, FRICTION	4	4	4	
12	90501-260A1	SPRING, COMPRESSION	5	5	5	
13	90119-06105	BOLT, WITH WASHER	5	5	5	
14	2JN-16154-00	PLATE, THRUST 1	1	1	1	
15	5VK-16331-00	PLATE, FRICTION 2	1	1	1	
16	5JG-16383-00	SPRING, CLUTCH BOSS	1	1	1	
17	5JG-16384-00	PLATE, SEAT	1	1	1	
18	5TA-16321-00	PLATE, FRICTION	2	2	2	
19	90215-20X01	WASHER, LOCK	1	1	1	
20	90170-20327	NUT	1	1	1	
21	4XV-16356-01	ROD, PUSH 1	1	1	1	
22	5VK-16340-00	PUSH LEVER ASSY	1	1	1	
23	90508-16X00	SPRING, TORSION	1	1	1	
24	5VK-E6382-00	AXLE, PUSH LEVER	1	1	1	
25	90201-08X19	WASHER, PLATE	1	1	1	
26	99001-07600	CIRCLIP	1	1	1	
27	93317-11020	BEARING	1	1	1	

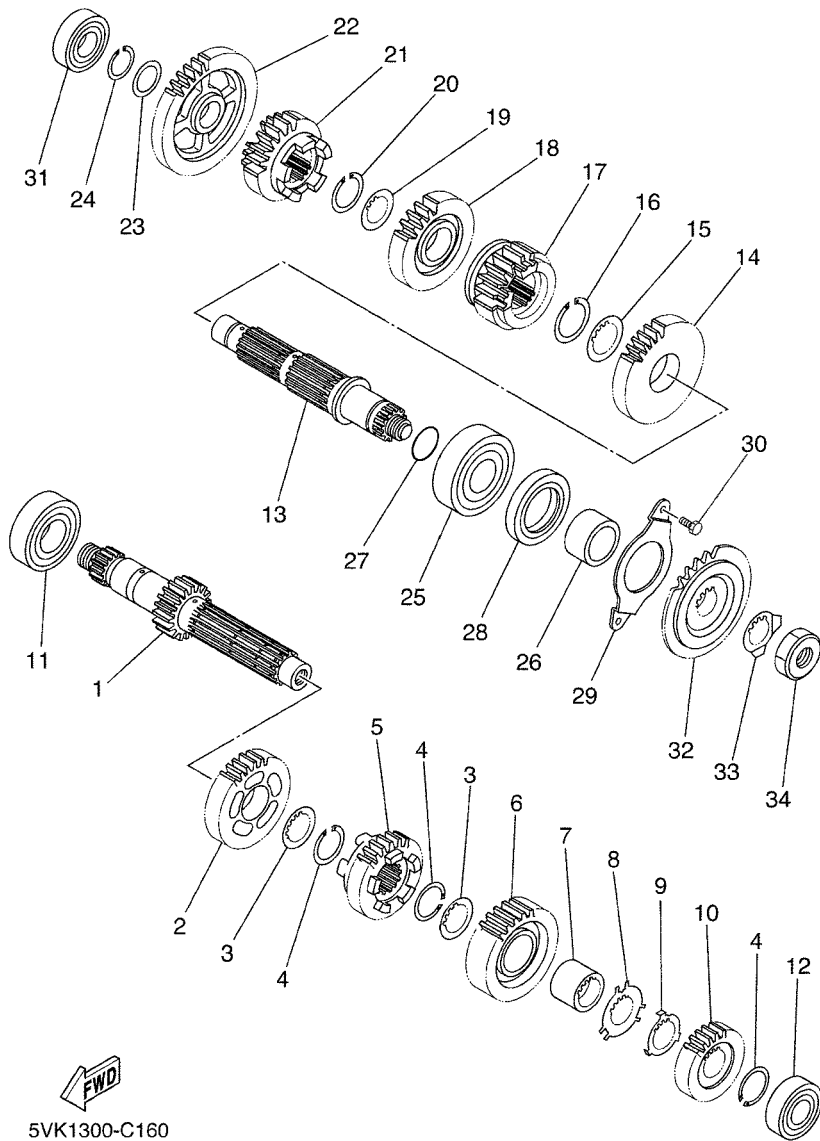
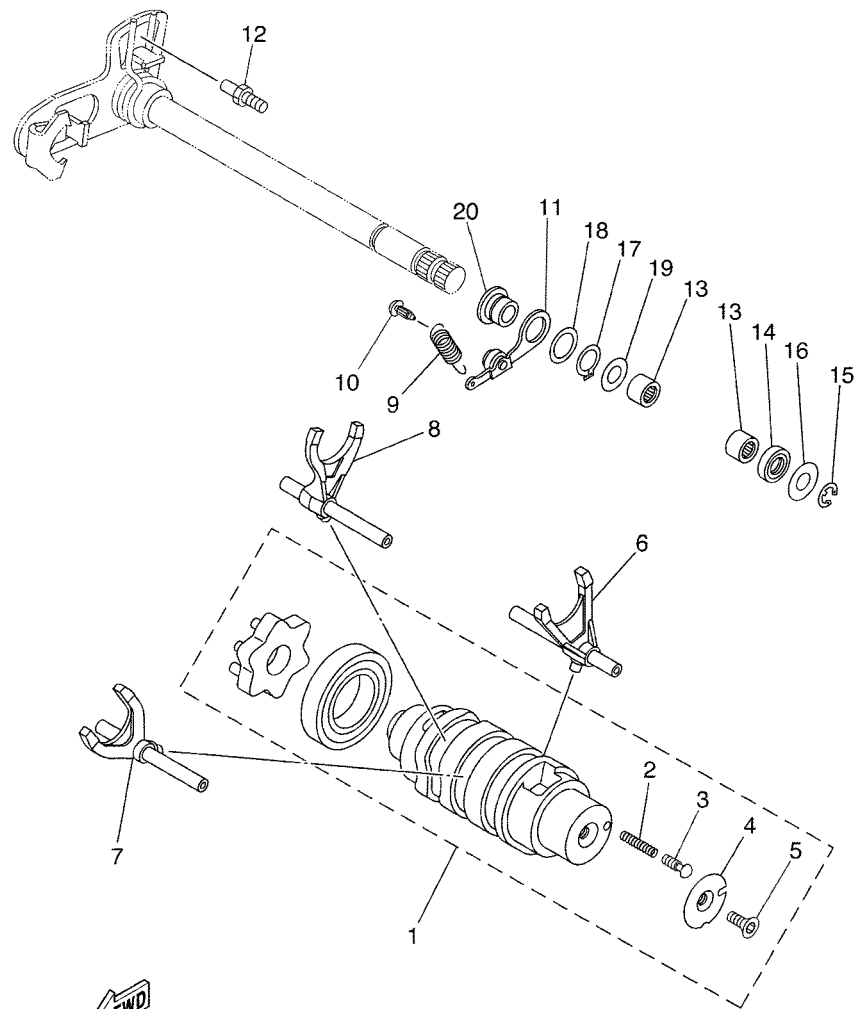


FIG. 17 TRANSMISSION

REF. NO.	PART NO.	DESCRIPTION	010	020	030	REMARKS
1	5VK-E7401-00	MAIN AXLE ASSY(12T)	1	1	1	
2	5VK-E7141-00	GEAR, 4TH PINION (22T)	1	1	1	
	5VK-E7141-10	GEAR, 4TH PINION (22T)	1	1	1	AP
3	90209-21X00	WASHER	2	2	2	
4	93440-25084	CIRCLIP	3	3	3	
5	5VK-E7131-00	GEAR, 3RD PINION (20T)	1	1	1	
6	5VK-E7151-00	GEAR, 5TH PINION (26T)	1	1	1	
	5VK-E7151-10	GEAR, 5TH PINION (26T)	1	1	1	AP
7	90387-21002	COLLAR	1	1	1	
8	90209-22X00	WASHER	1	1	1	
9	90209-21351	WASHER	1	1	1	
10	5VK-E7121-00	GEAR, 2ND PINION (16T)	1	1	1	
11	93306-205XA	BEARING	1	1	1	
12	93306-004XL	BEARING	1	1	1	
13	5VK-E7402-00	DRIVE AXLE ASSY	1	1	1	
14	5VK-E7221-00	GEAR, 2ND WHEEL (26T)	1	1	1	
15	90209-26348	WASHER	1	1	1	
16	93440-28062	CIRCLIP	1	1	1	
17	5VK-E7251-00	GEAR, 5TH WHEEL (20T)	1	1	1	
18	5VK-E7231-00	GEAR, 3RD WHEEL (23T)	1	1	1	
19	90209-21X00	WASHER	1	1	1	
20	93440-25084	CIRCLIP	1	1	1	
21	5VK-E7241-00	GEAR, 4TH WHEEL (20T)	1	1	1	
22	5VK-E7211-00	GEAR, 1ST WHEEL (30T)	1	1	1	
23	90201-208G4	WASHER, PLATE	1	1	1	
24	93410-20825	CIRCLIP	1	1	1	
25	93306-305X4	BEARING	1	1	1	

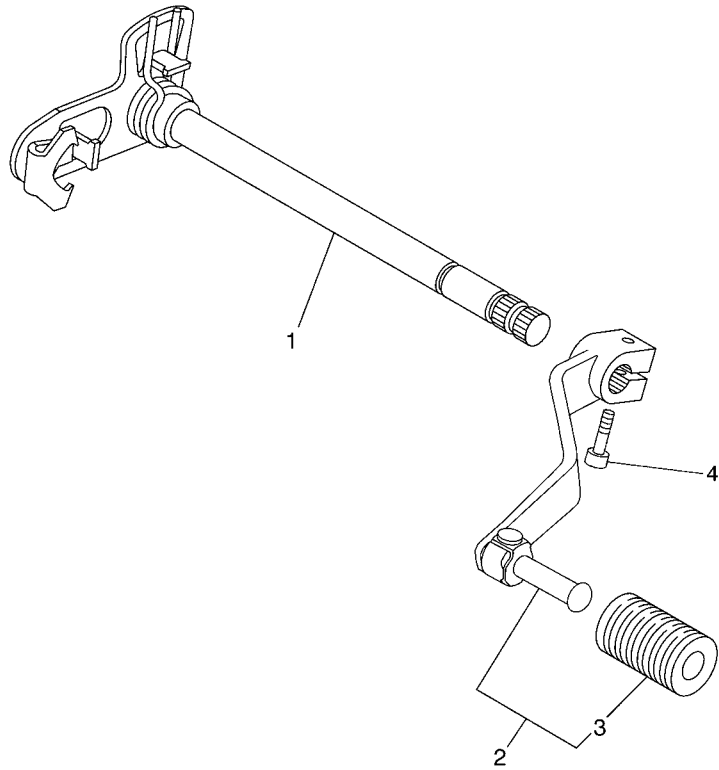


5VK1300-C170

FIG. 18 SHIFT CAM & FORK

REF. NO.	PART NO.	DESCRIPTION	010	020	030	REMARKS
1	5VK-18540-00	SHIFT CAM ASSY	1	1	1	
2	90501-06022	.SPRING, COMPRESSION	1	1	1	
3	4UN-18542-00	.POINT, NEUTRAL	1	1	1	
4	4UN-18566-00	.PLATE, SIDE 2	1	1	1	
5	90149-05321	.SCREW	1	1	1	
6	5VK-E8501-00	FORK, SHIFT 1	1	1	1	
7	5VK-E8502-00	FORK, SHIFT 2	1	1	1	
8	5VK-E8503-00	FORK, SHIFT 3	1	1	1	
9	5VK-E8144-00	HANGER, SPRING	1	1	1	
10	132-16346-00	HOOK, SPRING	1	1	1	
11	5JW-18140-00	STOPPER LEVER ASSY	1	1	1	
12	5VK-18127-00	STOPPER, SCREW	1	1	1	
13	93315-11206	BEARING	2	2	2	
14	93102-12106	OIL SEAL (SD 12-22-5 HS)	1	1	1	
15	99001-10600	CIRCLIP	1	1	1	
16	90201-12X06	WASHER, PLATE	1	1	1	
17	93410-17X00	CIRCLIP	1	1	1	
18	90201-17X01	WASHER, PLATE	1	1	1	
19	90201-12X05	WASHER, PLATE	1	1	1	
20	5VK-E8699-00	BOSS 1	1	1	1	

FIG. 19 SHIFT SHAFT



REF. NO.	PART NO.	DESCRIPTION	010	020	030	REMARKS
1	5VK-18101-00	SHIFT SHAFT ASSY	1	1	1	
2	11D-E8110-00	SHIFT PEDAL ASSY	1	1	1	
3	5VK-E8113-00	.COVER, SHIFT PEDAL	1	1	1	
4	91317-06020	BOLT	1	1	1	


11D1300-G190

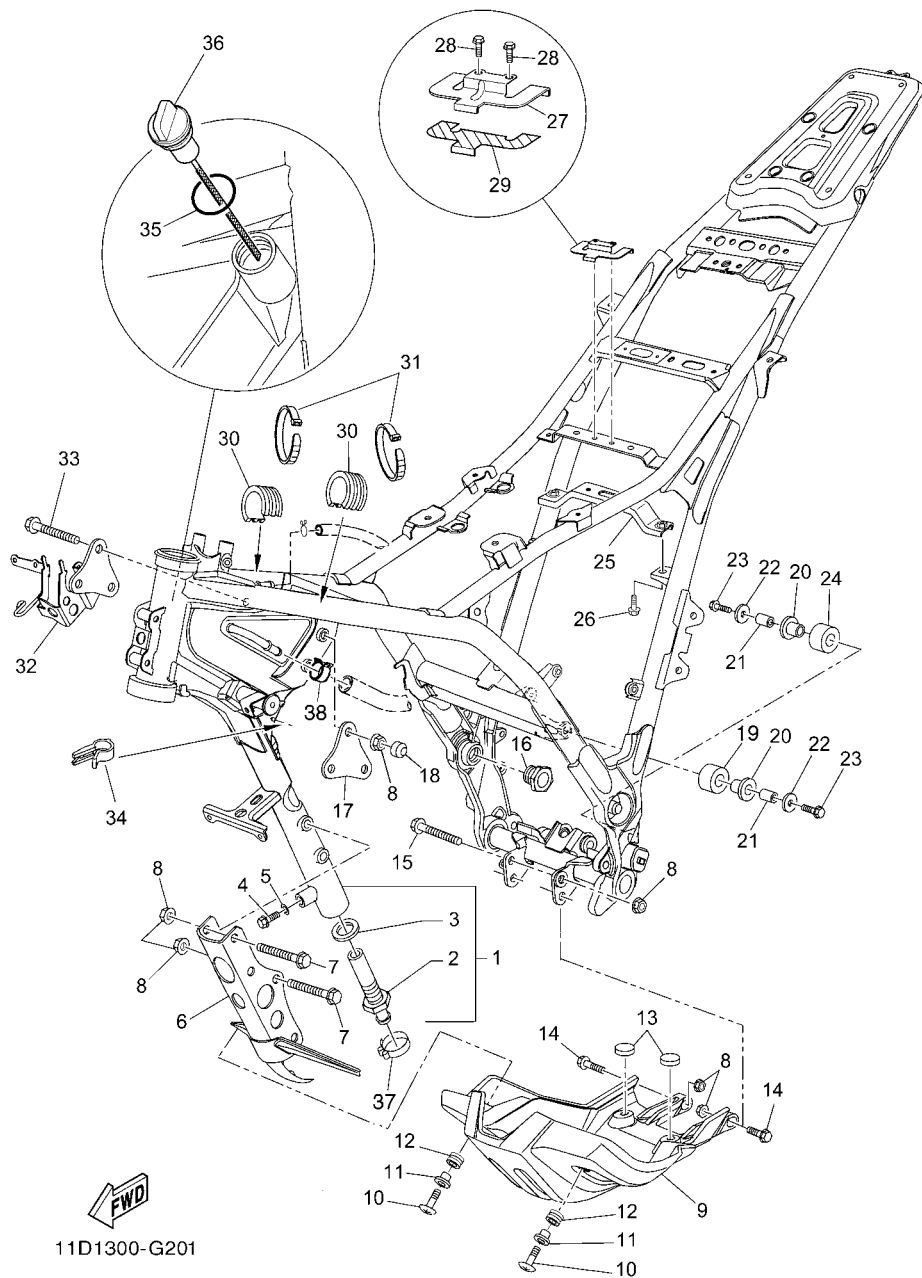
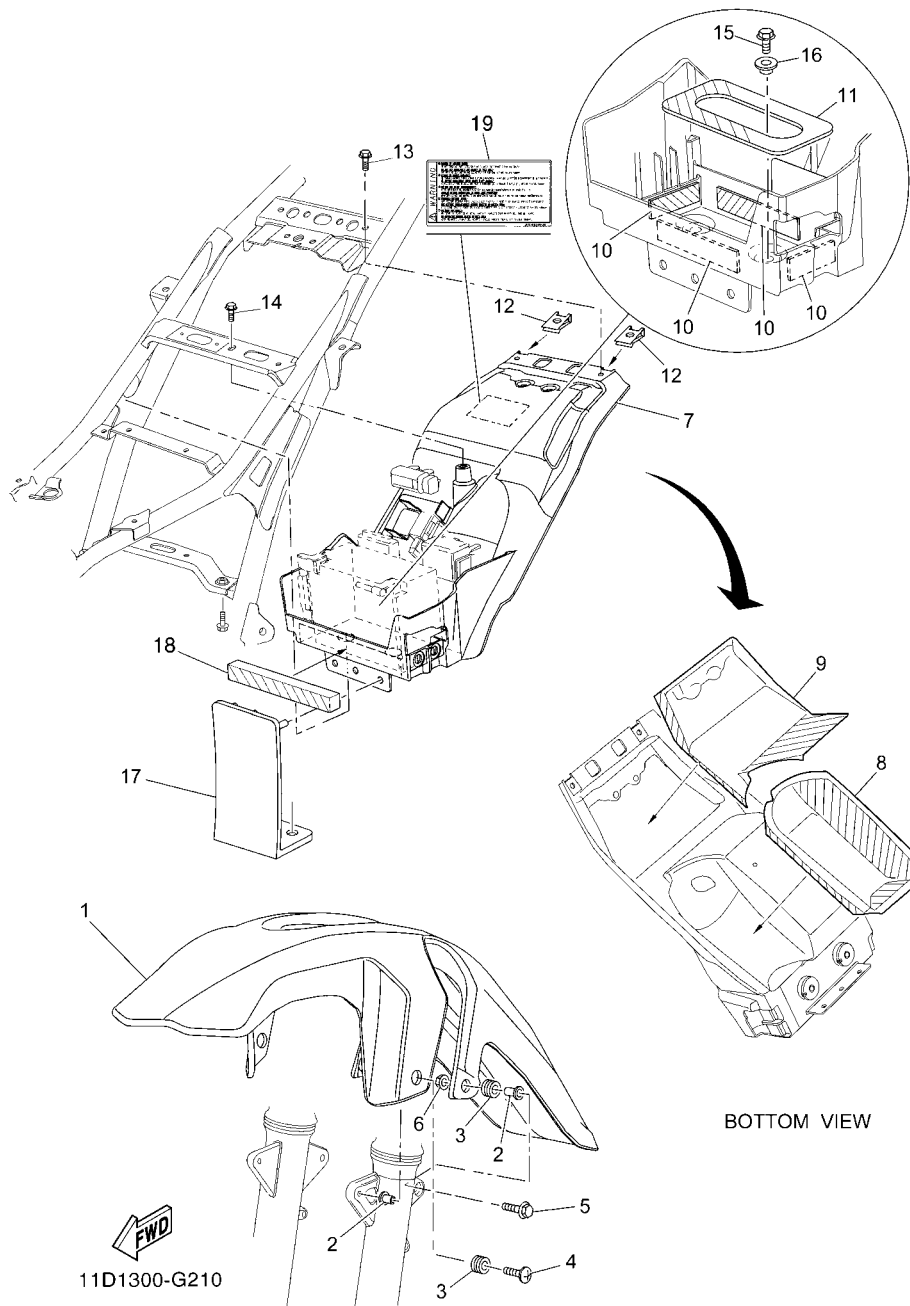


FIG. 20 FRAME

REF. NO.	PART NO.	DESCRIPTION	010	020	030	REMARKS
1	11D-F1110-00-98	FRAME COMP.	1	1	1	LGB FOR BMC,SMX
2	5VK-F1756-00	.NET, FILTER	1	1	1	
3	90430-22123	.GASKET	1	1	1	
4	95807-08012	BOLT, FLANGE	1	1	1	
5	90430-08119	GASKET	1	1	1	
6	11D-F1400-00	ENGINE BRACKET COMP.	1	1	1	
7	95817-10070	BOLT, FLANGE	4	4	4	
8	95607-10200	NUT, U FLANGE	10	10	10	
9	11D-F1471-00	PROTECTOR, ENGINE	1	1	1	
10	90154-06061	SCREW, BINDING	2	2	2	
11	90387-065J6	COLLAR	2	2	2	
12	90480-12072	GROMMET	2	2	2	
13	2J5-21732-00	SEAL 1	2	2	2	
14	95817-10035	BOLT, FLANGE	2	2	2	
15	90105-10733	BOLT, FLANGE	1	1	1	
16	11D-F1494-00	NUT	1	1	1	
17	11D-F1315-00	STAY, ENGINE 2	1	1	1	
18	5YK-F1399-00	CAP	3	3	3	
19	10V-22178-00	TENSIONER	1	1	1	
20	10V-22184-00	BUSH	2	2	2	
21	90387-08024	COLLAR	2	2	2	
22	90201-082H0	WASHER, PLATE	2	2	2	
23	95827-08040	BOLT, FLANGE	2	2	2	
24	30X-22178-00	TENSIONER	1	1	1	
25	11D-F1344-00	BRACKET, BATTERY BOX	1	1	1	
26	9581M-06012	BOLT, FLANGE	2	2	2	
27	11D-F118W-10	STOPPER	1	1	1	

FIG. 21 FENDER

REF. NO.	PART NO.	DESCRIPTION	010	020	030	REMARKS
1	11D-F1511-00-P3	FENDER, FRONT	1	1	1	FOR BMC
	11D-F1511-00-P0	FENDER, FRONT	1	1	1	FOR SMX
	11D-F1511-00-P5	FENDER, FRONT	1	1	1	FOR DRMU
2	90387-065J6	COLLAR	4	4	4	
3	90480-12497	GROMMET	4	4	4	
4	90154-06061	SCREW, BINDING	2	2	2	
5	95024-06025	BOLT, FLANGE	2	2	2	
6	90179-06403	NUT	2	2	2	
7	11D-F177G-00	BOX, BATTERY	1	1	1	
8	11D-F174A-01	INSULATOR, SIDE COVER	1	1	1	
9	11D-F174T-01	INSULATOR, SIDE COVER 2	1	1	1	
10	11D-F1779-00	DAMPER, LOCATING 2	4	4	4	
11	11D-F1778-00	DAMPER, LOCATING 1	1	1	1	
12	2VW-F1736-00	NUT,PLATE	2	2	2	
13	95807-06016	BOLT, FLANGE	2	2	2	
14	95807-06008	BOLT, FLANGE	1	1	1	
15	95807-06016	BOLT, FLANGE	2	2	2	
16	90387-06202	COLLAR	2	2	2	
17	11D-F1629-00	GUARD, MUD	1	1	1	
18	11D-F177N-00	DAMPER, LOCATING 4	1	1	1	
19	11D-F819R-10	TAG, WARNING	1	1	1	



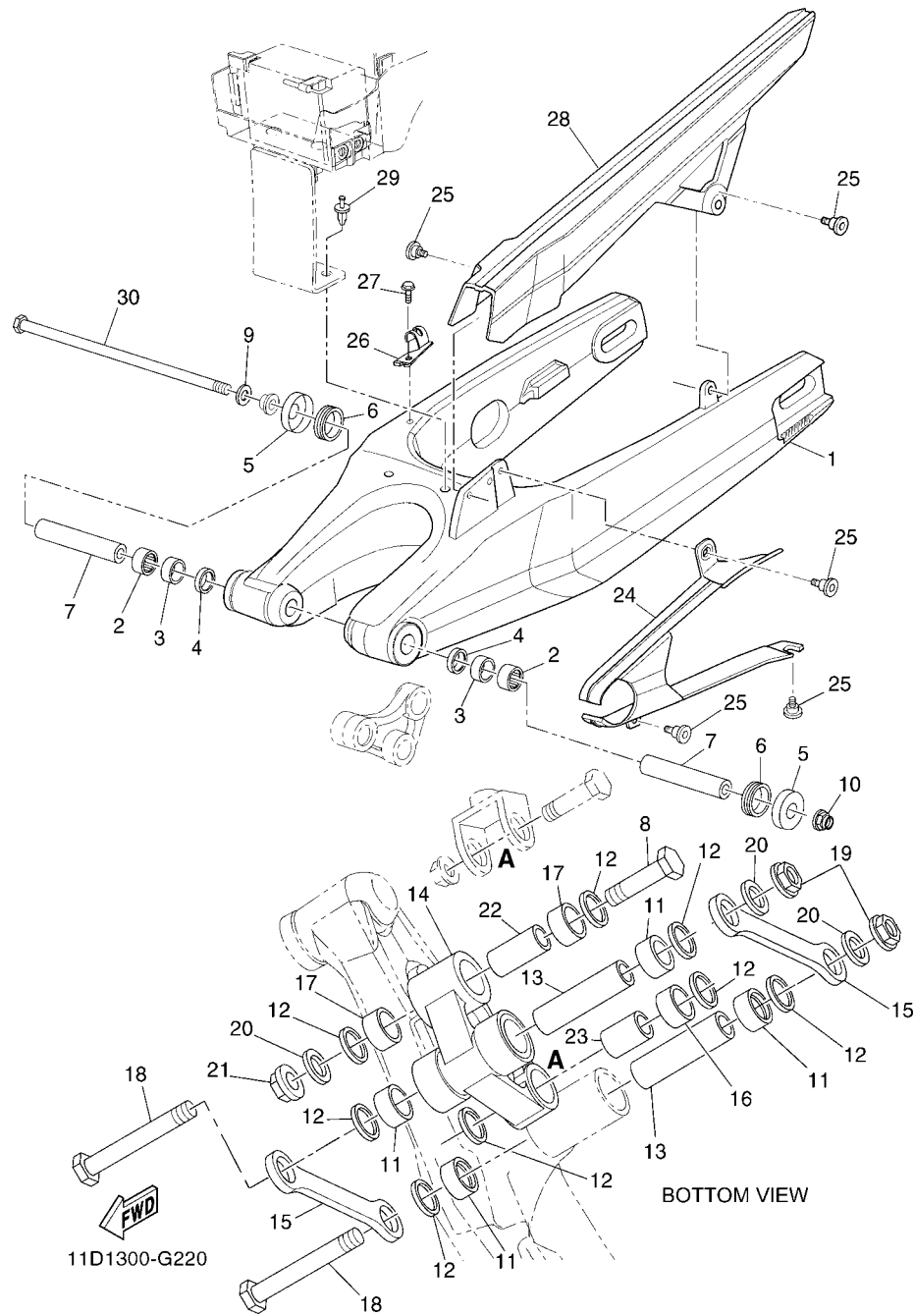
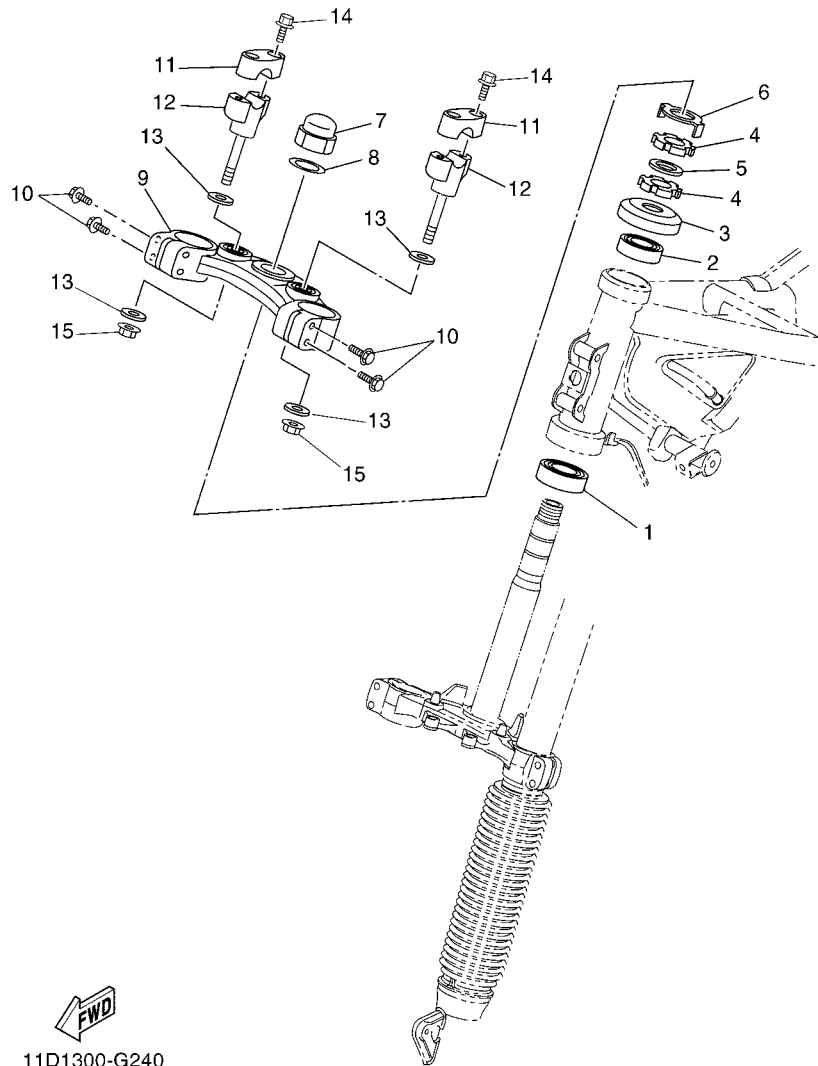


FIG. 22 REAR ARM

REF. NO.	PART NO.	DESCRIPTION	010	020	030	REMARKS
1	11D-F2110-00	REAR ARM COMP.	1	1	1	
2	93315-22251	BEARING	2	2	2	
3	90380-22111	BUSH, SOLID	2	2	2	
4	93106-22019	OIL SEAL (DC 22-28-8)	2	2	2	
5	30X-2219X-00	COVER	2	2	2	
6	93108-35004	OIL SEAL (35-41-8)	2	2	2	
7	11D-F2123-00	BUSH 1	2	2	2	
8	90101-12002	BOLT	1	1	1	
9	90201-16021	WASHER, PLATE	1	1	1	
10	95604-16200	NUT, U FLANGE	1	1	1	
11	93317-21746	BEARING	4	4	4	
12	93109-17071	OIL SEAL	8	8	8	
13	90387-126Y1	COLLAR	2	2	2	
14	11D-F217A-00	ARM, RELAY	1	1	1	
15	5JN-F217M-00	ARM 1	2	2	2	
16	93317-31771	BEARING	1	1	1	
17	93315-31758	BEARING	2	2	2	
18	90109-12X00	BOLT	2	2	2	
19	90185-12119	NUT, SELF-LOCKING	2	2	2	
20	90201-124G9	WASHER, PLATE	3	3	3	
21	95617-12100	NUT, U	1	1	1	
22	90387-124V0	COLLAR	1	1	1	
23	90387-127W0	COLLAR	1	1	1	
24	11D-F2151-00	SEAL, GUARD	1	1	1	
25	1C3-22969-10	SCREW, 1	7	7	7	
26	11D-F1823-00	CLAMP, HOSE	1	1	1	
27	95027-06012	BOLT, FLANGE	1	1	1	



11D1300-G240

FIG. 24 STEERING

REF. NO.	PART NO.	DESCRIPTION	010	020	030	REMARKS
1	93332-00008	BEARING	1	1	1	
2	93332-00001	BEARING	1	1	1	
3	1W1-23416-00	COVER, BALL RACE 2	1	1	1	
4	90179-25615	NUT	2	2	2	
5	90202-26142	WASHER, PLATE	1	1	1	
6	3YF-23418-00	WASHER, SPECIAL	1	1	1	
7	90176-22081	NUT, CROWN	1	1	1	
8	90201-220T0	WASHER, PLATE	1	1	1	
9	11D-F3430-00	HANDLE CROWN COMP.	1	1	1	
10	90105-08154	BOLT, FLANGE	4	4	4	
11	1E6-23441-10-35	HOLDER, HANDLE UPPER	2	2	2	SL FOR BMC,SMX
12	3AJ-23442-00-35	HOLDER, HANDLE LOWER	2	2	2	SL FOR BMC,SMX
13	90201-10141	WASHER, PLATE	4	4	4	
14	90105-08154	BOLT, FLANGE	4	4	4	
15	95607-10200	NUT, U FLANGE	2	2	2	

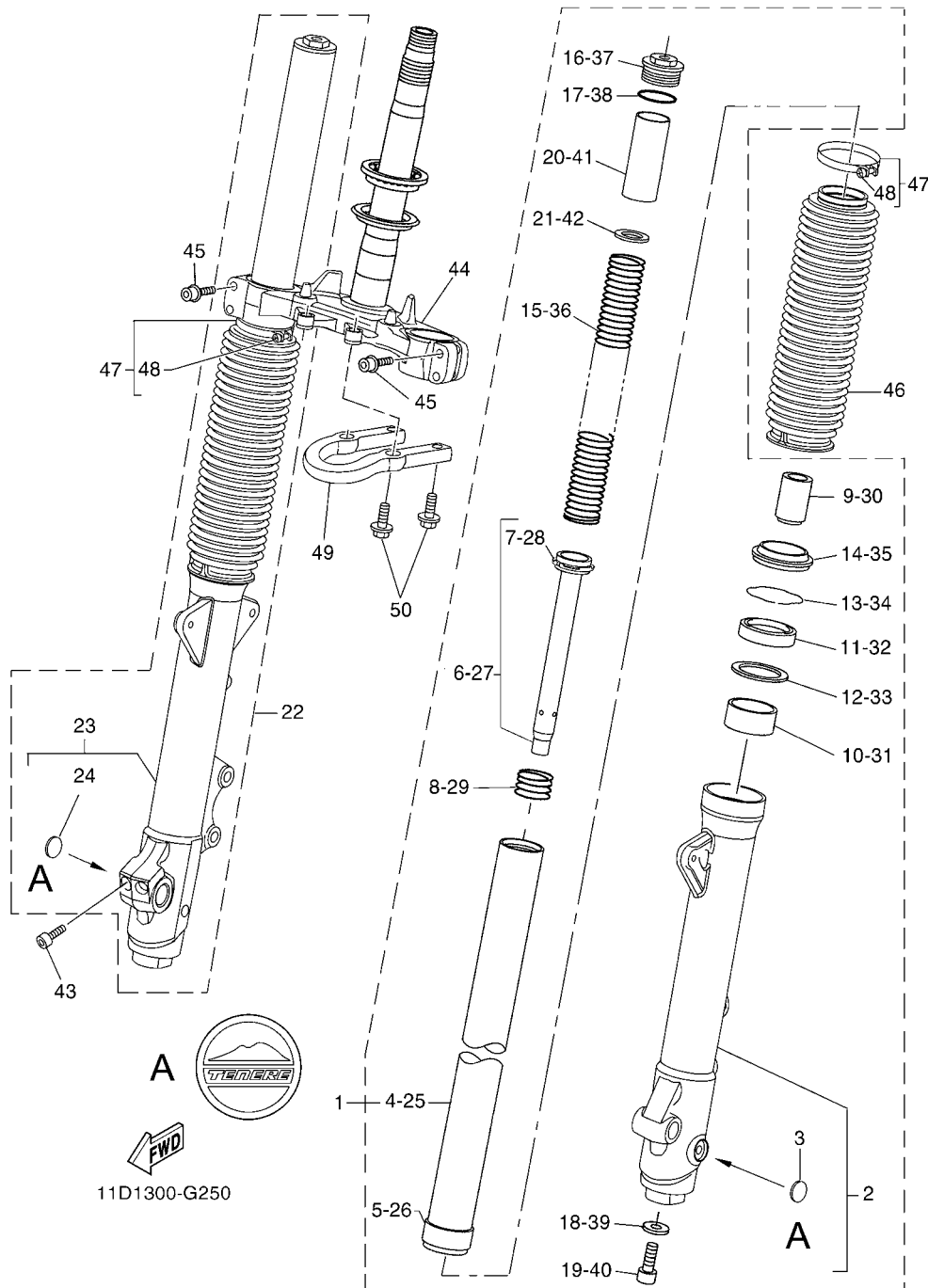


FIG. 25 FRONT FORK

REF. NO.	PART NO.	DESCRIPTION	010	020	030	REMARKS
1	11D-F3102-00	FRONT FORK ASSY (L.H)	1	1	1	
2	11D-F3126-00	.TUBE, OUTER (LEFT)	1	1	1	
3	11D-F3108-00	..EMBLEM	1	1	1	
4	11D-F3110-00	.INNER TUBE COMP.1	1	1	1	
5	3XJ-23171-L0	.PISTON, FRONT FORK	1	1	1	
6	11D-F3170-00	.CYLINDER COMP., FRONT FORK	1	1	1	
7	5VK-F3157-00	..RING, PISTON	1	1	1	
8	5VK-F3151-00	.SPRING, REBOUND	1	1	1	
9	5VK-F3173-00	.SPINDLE, TAPER	1	1	1	(PAIOLI)
10	3XJ-23125-L0	.METAL, SLIDE 1	1	1	1	
11	4DA-23145-L0	.OIL SEAL	1	1	1	
12	5VK-F3146-00	.WASHER, OIL SEAL	1	1	1	(PAIOLI)
13	5VK-F3153-00	.RING, SNAP	1	1	1	(PAIOLI)
14	4DA-23144-L0	.SEAL, DUST	1	1	1	
15	11D-F3141-00	.SPRING, FRONT FORK	1	1	1	
16	11D-F3111-00	.BOLT, CAP	1	1	1	
17	4V4-23188-L0	.O-RING	1	1	1	
18	5JH-F3158-00	.GASKET	1	1	1	(PAIOLI)
19	5VK-F3181-00	.BOLT, HEXAGON SOCKET HEAD	1	1	1	(PAIOLI)
20	11D-F3118-00	.SPACER	1	1	1	
21	5VK-F3149-00	.WASHER, SPRING UPPER	1	1	1	(PAIOLI)
22	11D-F3103-00	FRONT FORK ASSY (R.H)	1	1	1	
23	11D-F3136-00	.TUBE, OUTER (RIGHT)	1	1	1	
24	11D-F3108-00	..EMBLEM	1	1	1	
25	11D-F3110-00	.INNER TUBE COMP.1	1	1	1	
26	3XJ-23171-L0	.PISTON, FRONT FORK	1	1	1	
27	11D-F3170-00	.CYLINDER COMP., FRONT FORK	1	1	1	

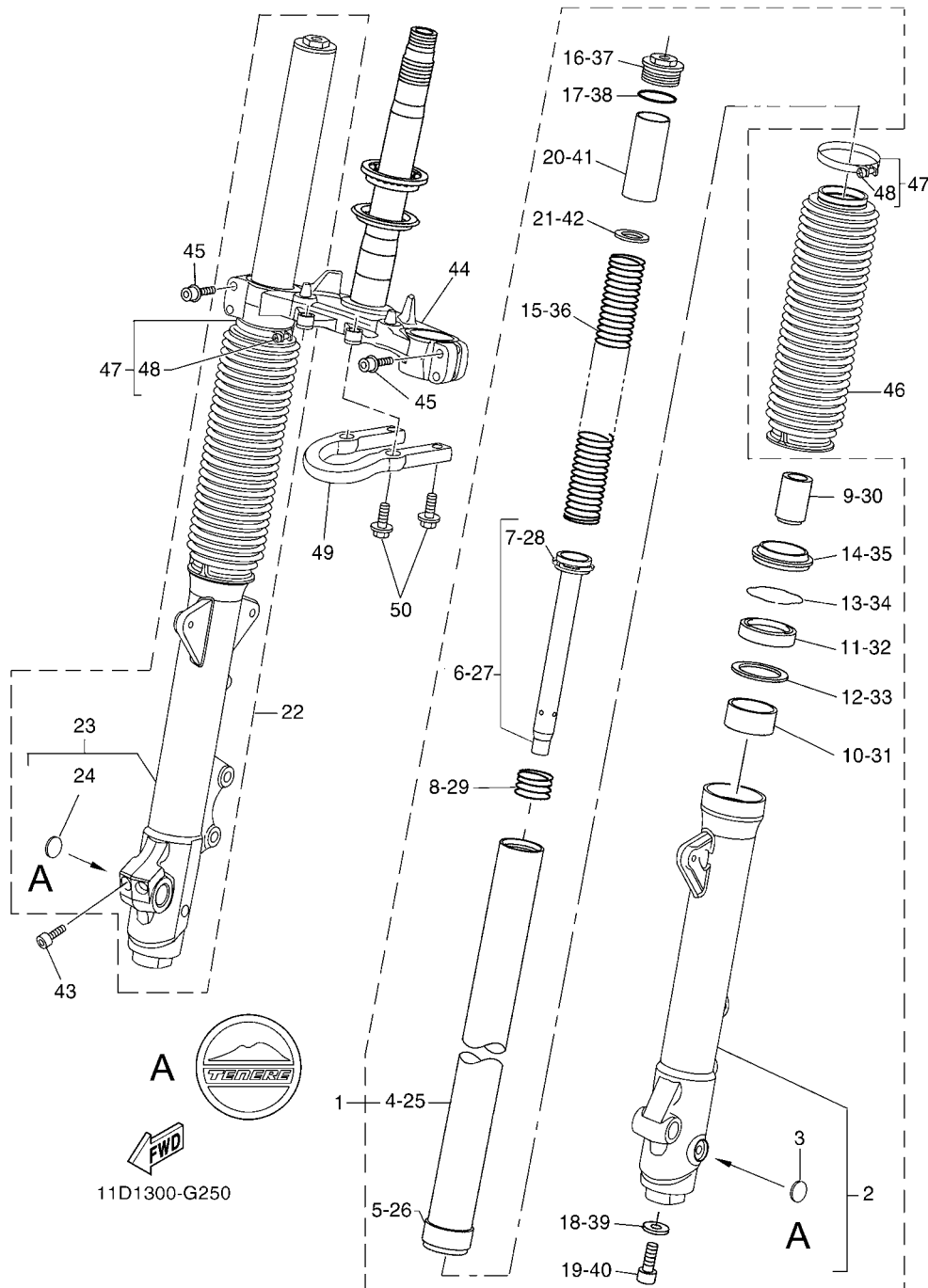


FIG. 25 FRONT FORK

REF. NO.	PART NO.	DESCRIPTION	010	020	030	REMARKS
28	5VK-F3157-00	.RING, PISTON	1	1	1	
29	5VK-F3151-00	.SPRING, REBOUND	1	1	1	
30	5VK-F3173-00	.SPINDLE, TAPER	1	1	1	(PAIOLI)
31	3XJ-23125-L0	.METAL, SLIDE 1	1	1	1	
32	4DA-23145-L0	.OIL SEAL	1	1	1	
33	5VK-F3146-00	.WASHER, OIL SEAL	1	1	1	(PAIOLI)
34	5VK-F3153-00	.RING, SNAP	1	1	1	(PAIOLI)
35	4DA-23144-L0	.SEAL, DUST	1	1	1	
36	11D-F3141-00	.SPRING, FRONT FORK	1	1	1	
37	11D-F3111-00	.BOLT, CAP	1	1	1	
38	4V4-23188-L0	.O-RING	1	1	1	
39	5JH-F3158-00	.GASKET	1	1	1	(PAIOLI)
40	5VK-F3181-00	.BOLT, HEXAGON SOCKET HEAD	1	1	1	(PAIOLI)
41	11D-F3118-00	.SPACER	1	1	1	
42	5VK-F3149-00	.WASHER, SPRING UPPER	1	1	1	(PAIOLI)
43	5VK-F3128-00	.BOLT, AXLE HOLDER	2	2	2	
44	5VK-F3340-00	UNDER BRACKET COMP.	1	1	1	
45	5SE-F3394-00	BOLT, SPECIAL	4	4	4	(PAIOLI)
46	11D-F3191-00	BOOT	2	2	2	
47	11D-F3192-00	BAND	2	2	2	
48	98580-04016	.SCREW, PANHEAD (+)	1	1	1	
49	11D-F1165-00	HANDLE, STANDING	1	1	1	
50	95812-06030	BOLT, FLANGE	4	4	4	

FIG. 26 FUEL TANK

REF. NO.	PART NO.	DESCRIPTION	010	020	030	REMARKS
1	11D-XF411-00-P3	FUEL TANK COMP.	1	1	1	FOR BMC
	11D-XF411-10-P0	FUEL TANK COMP.	1	1	1	FOR SMX
	11D-XF411-00-P5	FUEL TANK COMP.	1	1	1	FOR DRMU
2	11D-F4240-10	.GRAPHIC SET	1	1	1	FOR BMC
	11D-F4230-10	.GRAPHIC SET 1	1	1	1	FOR SMX
	11D-F4230-20	.GRAPHIC SET 1	1	1	1	FOR DRMU
3	11D-24602-00	CAP ASSY	1	1	1	
4	90110-05112	BOLT, HEXAGON SOCKET HEAD	3	3	3	
5	91317-05010	BOLT	1	1	1	
6	11D-F4192-00	BRACKET, FUEL TANK 2	1	1	1	
7	95817-08040	BOLT, FLANGE	2	2	2	
8	90201-08M03	WASHER, PLATE	2	2	2	
9	11D-F4182-00	DAMPER, LOCATING 2	2	2	2	
10	90387-087L3	COLLAR	2	2	2	
11	11D-F4717-00	BOLT, SEAT FITTING	1	1	1	
12	11D-F4141-00	PROTECTOR, FUEL TANK	1	1	1	
13	11D-F8170-00	HOLDER, TOOL	1	1	1	
14	11D-F8100-00	TOOL KIT	1	1	1	
15	11D-F413B-00	EMBLEM	2	2	2	
16	11D-13907-01	FUEL PUMP COMP.	1	1	1	
17	5YK-F4491-00	BRACKET, FUEL PUMP	1	1	1	
18	5JW-24486-00	O-RING	1	1	1	
19	91317-06012	BOLT	6	6	6	
20	11D-F137W-00	SCOOP, AIR 1	1	1	1	
21	11D-F4115-00	STAY, FUEL TANK 1	1	1	1	
22	95027-06014	BOLT, FLANGE	6	6	6	
23	90111-06X19	BOLT,HEX. SOCKET BUTTON	8	8	8	

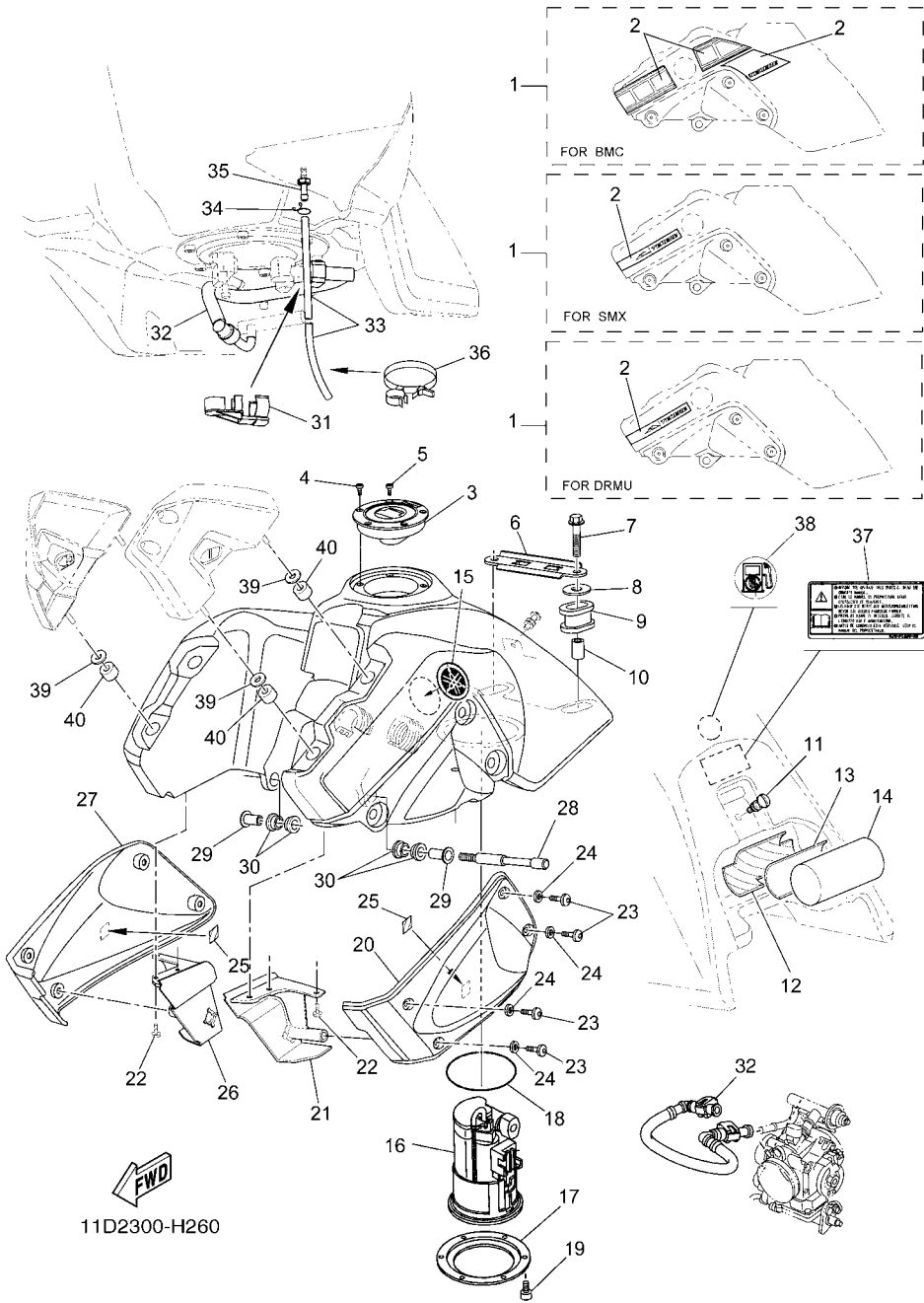
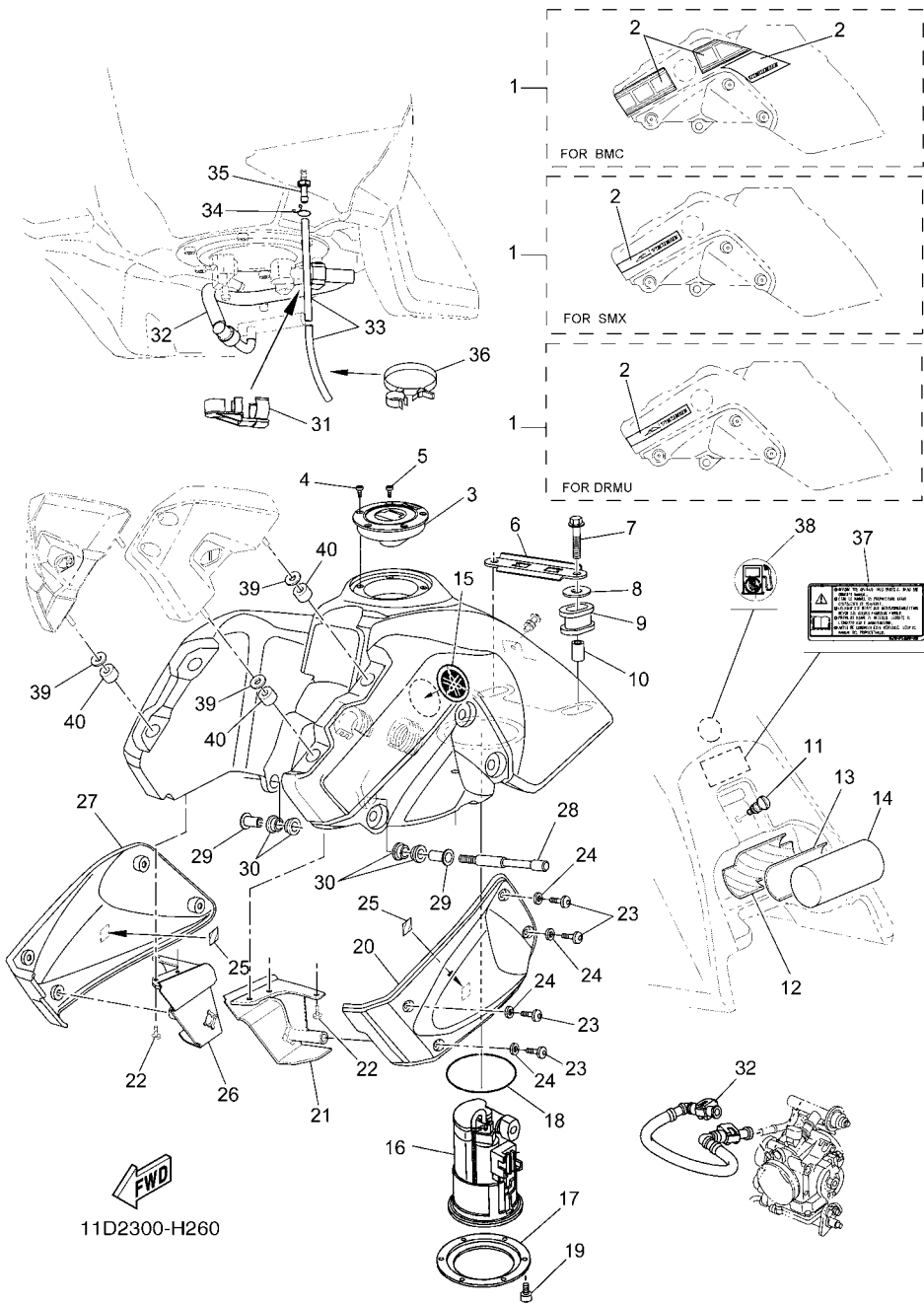


FIG. 26 FUEL TANK

REF. NO.	PART NO.	DESCRIPTION	010	020	030	REMARKS
24	90201-06X28	WASHER, PLATE	8	8	8	
25	11D-F836U-00	DAMPER, LOCATING 2	2	2	2	
26	11D-F4116-00	STAY, FUEL TANK 2	1	1	1	
27	11D-F137X-00	SCOOP, AIR 2	1	1	1	
28	11D-F4243-00	ROD 1	2	2	2	
29	11D-F412G-00	COLLAR	2	2	2	
30	11D-F4181-00	DAMPER, LOCATING 1	4	4	4	
31	90464-16005	CLAMP	1	1	1	
32	5YK-13971-00	PIPE, FUEL 1	1	1	1	
33	11D-F4318-00	PIPE, OVERFLOW	1	1	1	
34	90467-09006	CLIP	1	1	1	
35	5YK-F4478-00	JOINT	1	1	1	
36	90464-09X00	CLAMP	2	2	2	
37	11D-F1568-00	LABEL, WARNING	1	1	1	
38	4SU-F415E-00	LABEL, CAUTION	1	1	1	
39	90202-08X01	WASHER, PLATE	4	4	4	
40	11D-F8187-00	GROMMET	4	4	4	



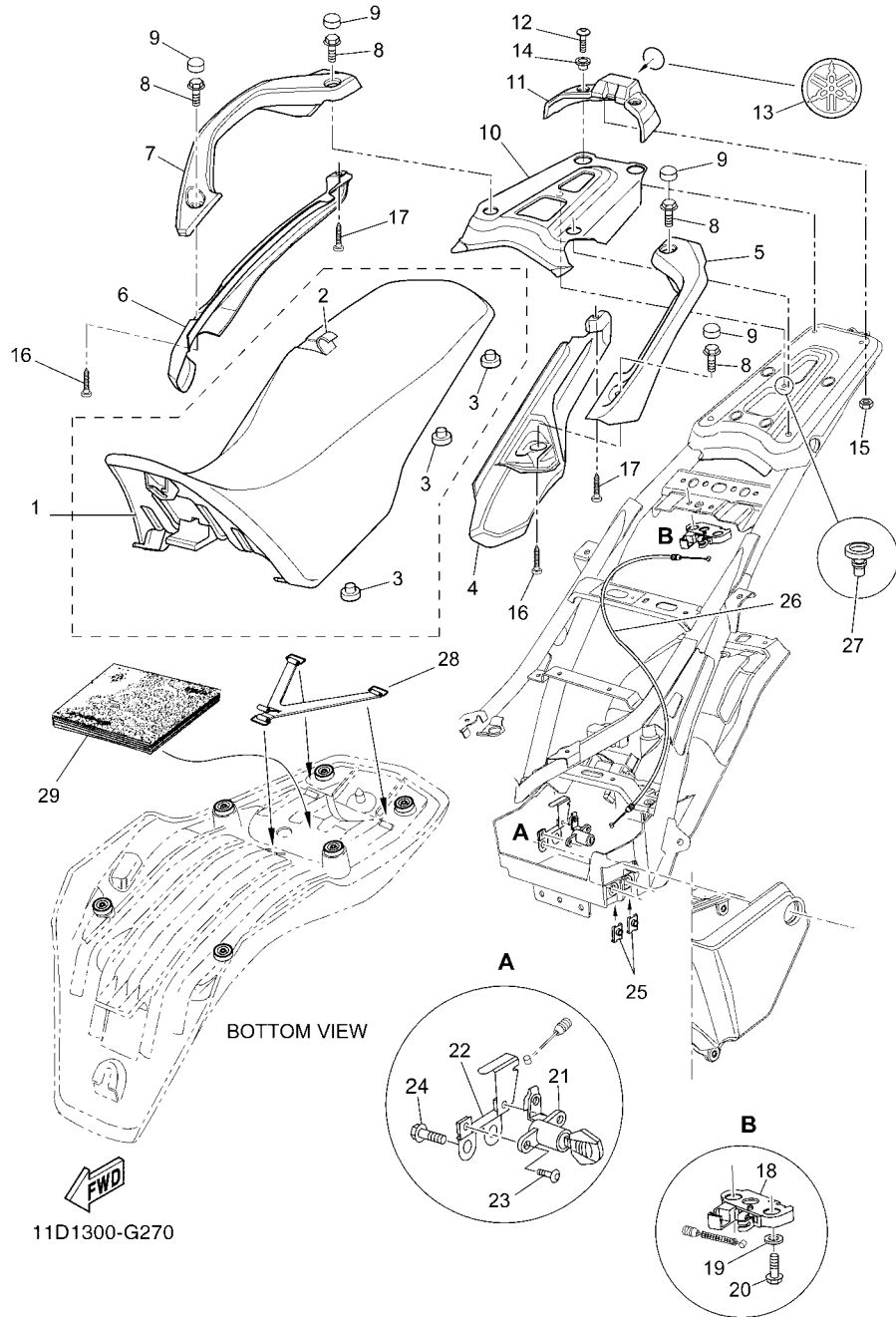
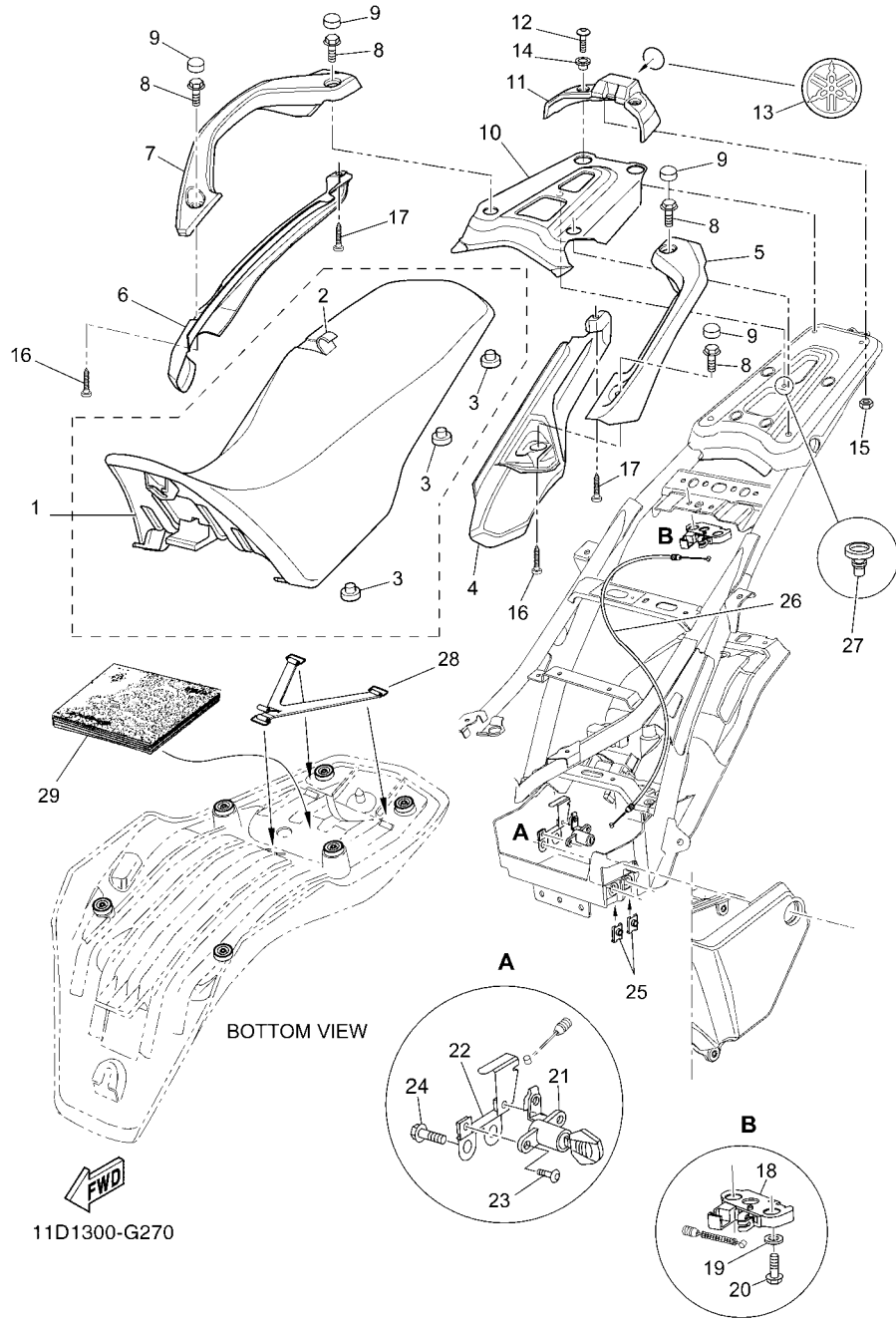


FIG. 27 SEAT

REF. NO.	PART NO.	DESCRIPTION	010	020	030	REMARKS
1	11D-F4770-10	SEMI-DOUBLE SEAT ASSY	1	1	1	FOR BMC
	11D-F4770-20	SEMI-DOUBLE SEAT ASSY	1	1	1	FOR SMX ,DRMU
2	11D-F4731-10	.COVER, SEAT	1	1	1	FOR BMC
	11D-F4731-20	.COVER, SEAT	1	1	1	FOR SMX ,DRMU
3	5YK-F4741-00	.PAD, SEAT	6	6	6	
4	11D-F4845-00	COVER 1	1	1	1	
5	11D-F474A-00	ASSIST, GRIP	1	1	1	
6	11D-F4846-00	COVER 2	1	1	1	
7	11D-F474W-00	ASSIST,GRIP 2	1	1	1	
8	95817-08030	BOLT, FLANGE	4	4	4	
9	11D-F4481-00	PLUG	4	4	4	
10	11D-F4844-00	COVER 3	1	1	1	
11	11D-F471K-00	COVER, TAIL 1	1	1	1	
12	90111-06X19	BOLT,HEX. SOCKET BUTTON	2	2	2	
13	11D-F176B-00	TUNING FORK MARK	1	1	1	
14	90387-06X01	COLLAR	2	2	2	
15	95602-06200	NUT, SELF-LOCKING	2	2	2	
16	97707-40010	SCREW, TAPPING	2	2	2	
17	97707-40014	SCREW, TAPPING	2	2	2	
18	5AD-F4780-00	SEAT LOCK ASSY	1	1	1	
19	90201-06X04	WASHER, PLATE	2	2	2	
20	92017-06020	BOLT, BUTTON HEAD	2	2	2	
21	2TV-W2470-00	ROTOR SET	1	1	1	
22	11D-F175H-00	STAY, LOCK	1	1	1	
23	92017-06014	BOLT, BUTTON HEAD	2	2	2	
24	90105-05016	BOLT, FLANGE	2	2	2	
25	90183-05812	NUT, SPRING	2	2	2	



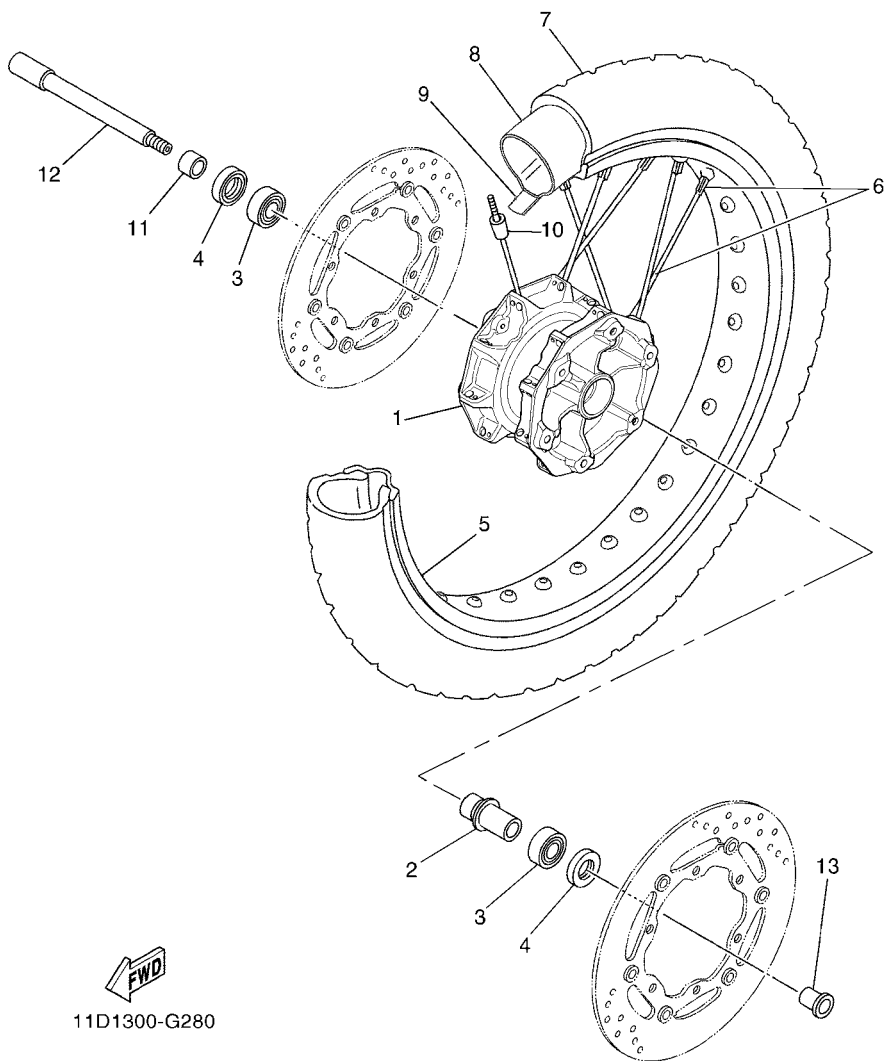
11D1300-G270

FIG. 27 SEAT

REF. NO.	PART NO.	DESCRIPTION	010	020	030	REMARKS
26	11D-F478E-00	CABLE, SEAT LOCK	1	1	1	
27	11D-F483H-00	BAND	1	1	1	
28	90338-05008	PLUG	1	1	1	
29	11D-F8199-E0	MANUAL,OWNER'S	1	1	1	UR ENGLISH
	11D-F8199-F0	MANUAL,OWNER'S	1	1	1	UR FRENCH
	11D-F8199-G0	MANUAL,OWNER'S	1	1	1	UR GERMAN
	11D-F8199-H0	MANUAL,OWNER'S	1	1	1	UR ITALIAN
	11D-F8199-S0	MANUAL,OWNER'S	1	1	1	UR SPANISH
	11D-F8199-D0	MANUAL,OWNER'S		1		UR DUTCH
	11D-F8199-P0	MANUAL,OWNER'S			1	UR PORTUGUESE

FIG. 28 FRONT WHEEL

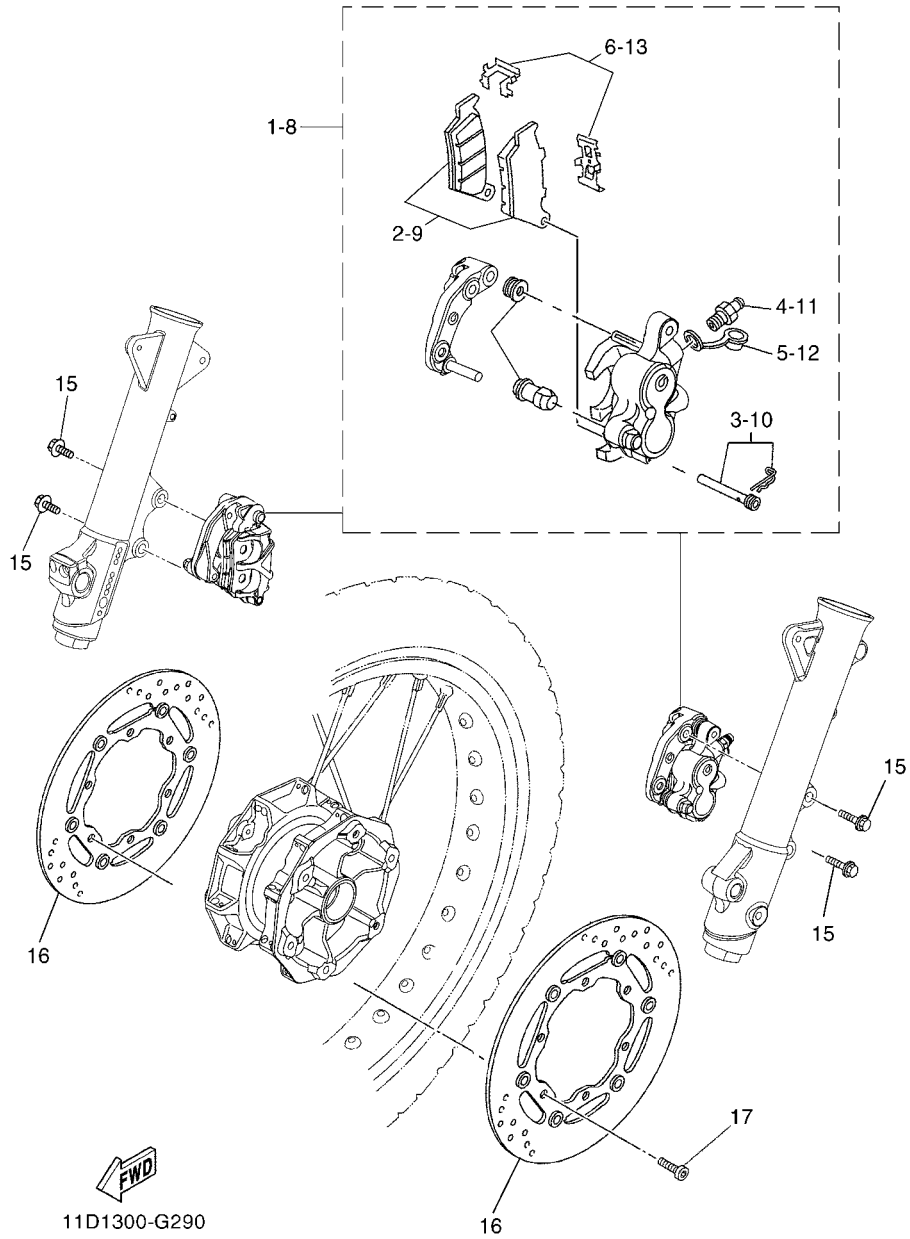
REF. NO.	PART NO.	DESCRIPTION	010	020	030	REMARKS
1	11D-F5111-00	HUB, FRONT	1	1	1	
2	11D-F5117-00	SPACER, BEARING	1	1	1	
3	93306-203XN	BEARING	2	2	2	
4	93106-23002	OIL SEAL	2	2	2	
5	94418-21X00	RIM (1.85-21)	1	1	1	
6	11D-F5104-00	SPOKE SET, FRONT	1	1	1	
7	94109-21800	TIRE (90/90-21M/C 54S)	1	1	1	UR METZELER TOURA
	94109-21801	TIRE (90/90-21M/C 54T)	1	1	1	UR MICHELIN SIRAC
8	*	TUBE (21)	1	1	1	LM UR
	*	TUBE	1	1	1	LM UR
9	*	BAND, RIM (21)	1	1	1	LM UR
	*	BAND, RIM (1.60-21)	1	1	1	LM UR MICHELIN
10	3HT-25398-00	BALANCER, WHEEL (15G)	1	1	1	
11	5VK-F5183-00	COLLAR, WHEEL	1	1	1	
12	5VK-25181-00	AXLE, WHEEL	1	1	1	
13	5VK-F5186-00	COLLAR, WHEEL	1	1	1	




11D1300-G280

FIG. 29 FRONT BRAKE

REF. NO.	PART NO.	DESCRIPTION	010	020	030	REMARKS
1	11D-F580T-00	CALIPER ASSY (LEFT)	1	1	1	
2	11D-F5811-00	.PAD, CALIPER 2	1	1	1	
3	5D7-F5924-00	.PIN, PAD	1	1	1	
4	5D7-F5824-10	.SCREW, BLEED	1	1	1	(BREMBO)
5	5DS-F5825-00	.CAP	1	1	1	(BREMBO)
6	5DS-F5919-00	.SUPPORT, PAD	1	1	1	(BREMBO)
7	5DS-F5917-00	.BOOT, CALIPER	1	1	1	(BREMBO)
8	11D-F580U-00	CALIPER ASSY (RIGHT)	1	1	1	
9	11D-F5811-00	.PAD, CALIPER 2	1	1	1	
10	5D7-F5924-00	.PIN, PAD	1	1	1	
11	5D7-F5824-10	.SCREW, BLEED	1	1	1	(BREMBO)
12	5DS-F5825-00	.CAP	1	1	1	(BREMBO)
13	5DS-F5919-00	.SUPPORT, PAD	1	1	1	(BREMBO)
14	5DS-F5917-00	.BOOT, CALIPER	1	1	1	(BREMBO)
15	90105-10638	BOLT, FLANGE	4	4	4	
16	5VK-F581T-00	DISK BRAKE ASSY	2	2	2	
17	90109-064G6	BOLT	12	12	12	



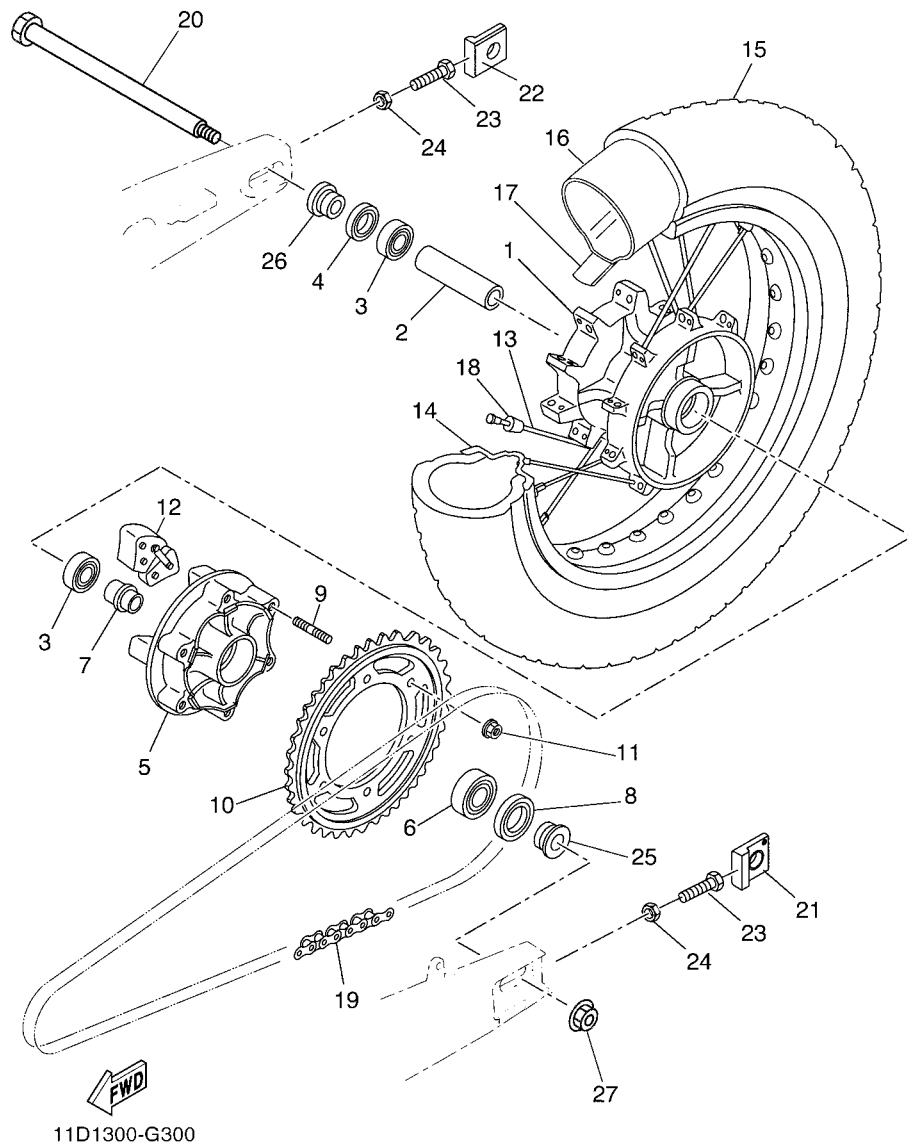
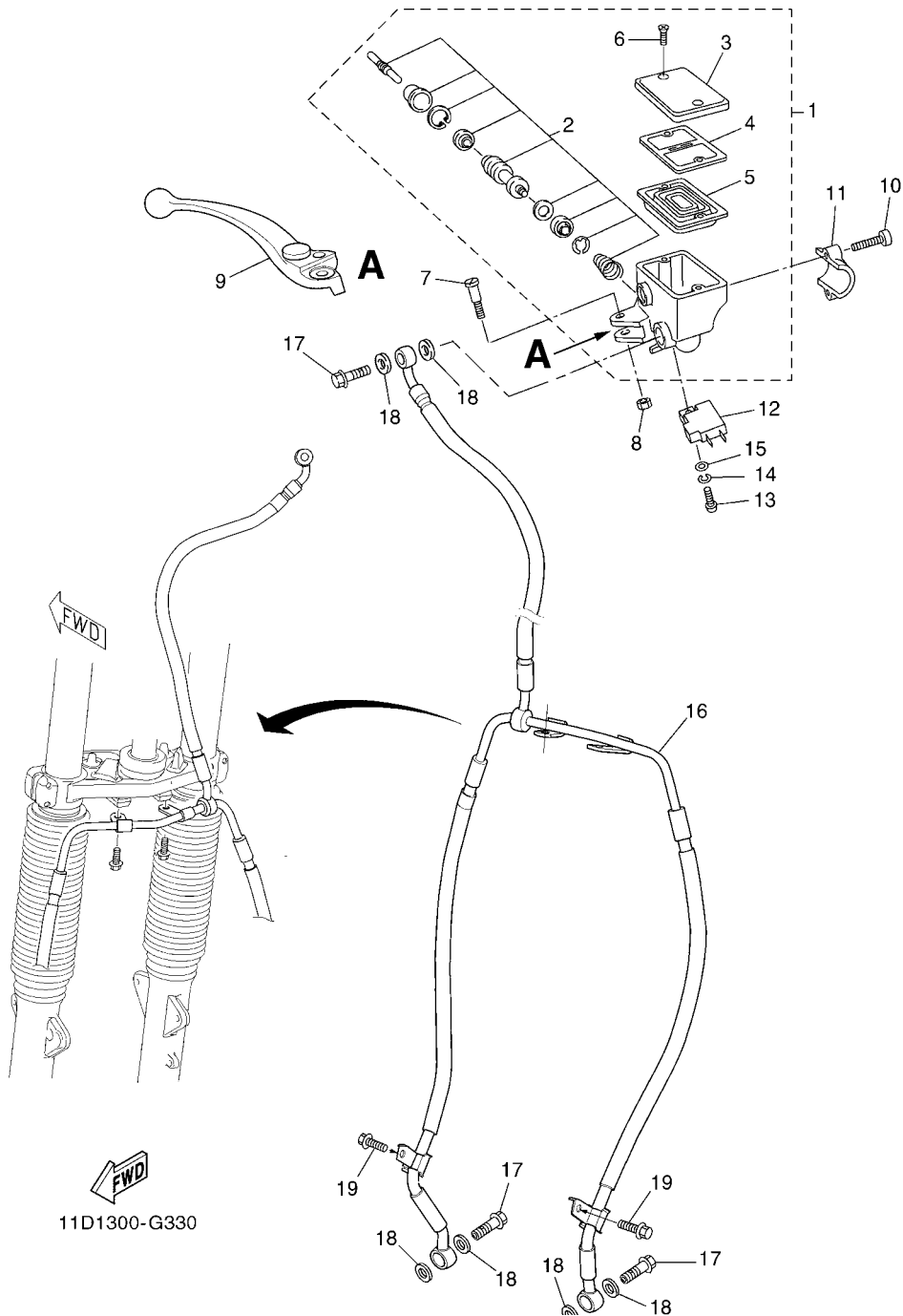


FIG. 30 REAR WHEEL

REF. NO.	PART NO.	DESCRIPTION	010	020	030	REMARKS
1	5VK-25311-00	HUB, REAR	1	1	1	
2	90560-17306	SPACER	1	1	1	
3	93306-20348	BEARING	2	2	2	
4	93106-23002	OIL SEAL	1	1	1	
5	5VK-25366-00	CLUTCH, HUB	1	1	1	
6	93306-30437	BEARING	1	1	1	
7	1VJ-25377-00	COLLAR, WHEEL	1	1	1	
8	93106-30029	OIL SEAL	1	1	1	
9	90116-10485	BOLT, STUD	6	6	6	
10	5VK-25445-01	SPROCKET, DRIVEN (45T)	1	1	1	
11	95607-10200	NUT, U FLANGE	6	6	6	
12	5Y1-25364-00	DAMPER	4	4	4	
13	5VK-F5304-00	SPOKE SET, REAR	1	1	1	
14	94427-17X00	RIM	1	1	1	
15	94113-17800	TIRE (130/80-17 M/C 65S)	1	1	1	UR METZELER TOURA
	94113-17801	TIRE (130/80-17 M/C 65T)	1	1	1	UR MICHELIN SIRAC
16	*	TUBE (21)	1	1	1	LM UR
	*	TUBE	1	1	1	LM UR
17	*	BAND, RIM (21)	1	1	1	LM UR
	*	BAND, RIM (2.15-18)	1	1	1	LM UR MICHELIN
18	3HT-25398-00	BALANCER, WHEEL (15G)	1	1	1	
19	9456X-08110	CHAIN	1	1	1	
20	10S-25381-00	AXLE, WHEEL	1	1	1	
21	10S-F5388-00	PULLER, CHAIN 1	1	1	1	
22	10S-F5389-00	PULLER, CHAIN 2	1	1	1	
23	90101-08777	BOLT	2	2	2	
24	95707-08500	NUT, FLANGE	2	2	2	

FIG. 33 FRONT MASTER CYLINDER

REF. NO.	PART NO.	DESCRIPTION	010	020	030	REMARKS
1	5PS-W2587-00	MASTER CYLINDER SUB ASSY	1	1	1	
2	5VS-W0041-00	.CYLINDER KIT, MASTER	1	1	1	
3	5VS-25852-00	.CAP, RESERVOIR	1	1	1	
4	5VS-25855-00	.BUSH, DIAPHRAGM	1	1	1	
5	20S-25854-00	.GASKET, DIAPHRAGM	1	1	1	
6	5VS-2589H-00	.SCREW	2	2	2	
7	5VS-2589F-00	BOLT, LEVER	1	1	1	
8	95617-06100	NUT, U	1	1	1	
9	5VS-83922-00	LEVER 2	1	1	1	
10	5VS-26332-00	BOLT	2	2	2	
11	5VS-25867-00	BRACKET, MASTER CYLINDER	1	1	1	
12	4HM-83980-00	FRONT STOP SWITCH ASSY	1	1	1	
13	98502-04012	SCREW, PAN HEAD	1	1	1	
14	92902-04100	WASHER, SPRING	1	1	1	
15	92902-04600	WASHER, PLATE	1	1	1	
16	11D-F5872-00	HOSE, BRAKE 1	1	1	1	
17	90401-10X03	BOLT, UNION	3	3	3	
18	90201-10X07	WASHER, PLATE	6	6	6	
19	95024-06012	BOLT, FLANGE	2	2	2	



11D1300-G330

FIG. 34 STAND & FOOTREST

REF. NO.	PART NO.	DESCRIPTION	010	020	030	REMARKS
1	11D-F7311-00	STAND, SIDE	1	1	1	
2	11D-F7321-00	BRACKET, SIDE STAND	1	1	1	
3	90105-10X16	BOLT, FLANGE	1	1	1	
4	11D-F7313-00	COLLAR	1	1	1	
5	90506-25X01	SPRING, TENSION	1	1	1	
6	90201-10X21	WASHER, PLATE	1	1	1	
7	9561M-10100	NUT, U	1	1	1	
8	90110-10191	BOLT, HEXAGON SOCKET HEAD	2	2	2	
9	3LD-27411-01	FOOTREST 1	1	1	1	
10	3LD-27413-00	COVER, FOOTREST	1	1	1	
11	91317-06010	BOLT	1	1	1	
12	90508-28777	SPRING, TORSION	1	1	1	
13	11D-F7452-00	BRACKET, FOOTREST 1	1	1	1	
14	90240-10101	PIN, CLEVIS	1	1	1	
15	91401-25020	PIN, COTTER	1	1	1	
16	90105-08053	BOLT, FLANGE	2	2	2	
17	95607-08200	NUT, SELF-LOCKING	2	2	2	
18	3LD-27421-01	FOOTREST 2	1	1	1	
19	3LD-27413-00	COVER, FOOTREST	1	1	1	
20	91317-06010	BOLT	1	1	1	
21	90508-28777	SPRING, TORSION	1	1	1	
22	90240-10101	PIN, CLEVIS	1	1	1	
23	91401-25020	PIN, COTTER	1	1	1	
24	11D-F7452-00	BRACKET, FOOTREST 1	1	1	1	
25	11D-F741L-00	BRACKET 4	1	1	1	
26	11D-F743A-00	BAR, REAR FOOTREST	1	1	1	
27	1B9-F7454-00	COVER, FOOTREST	1	1	1	

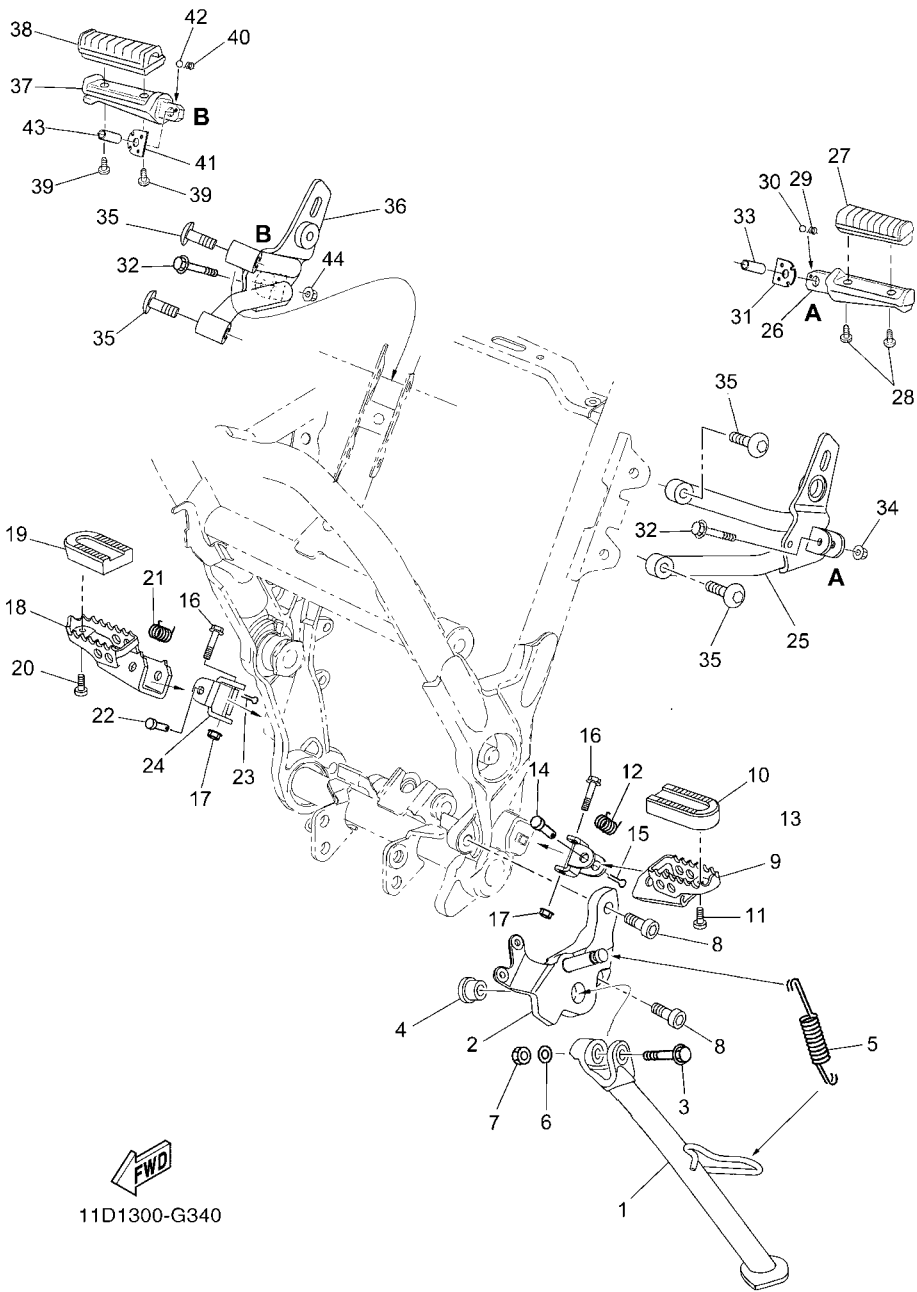
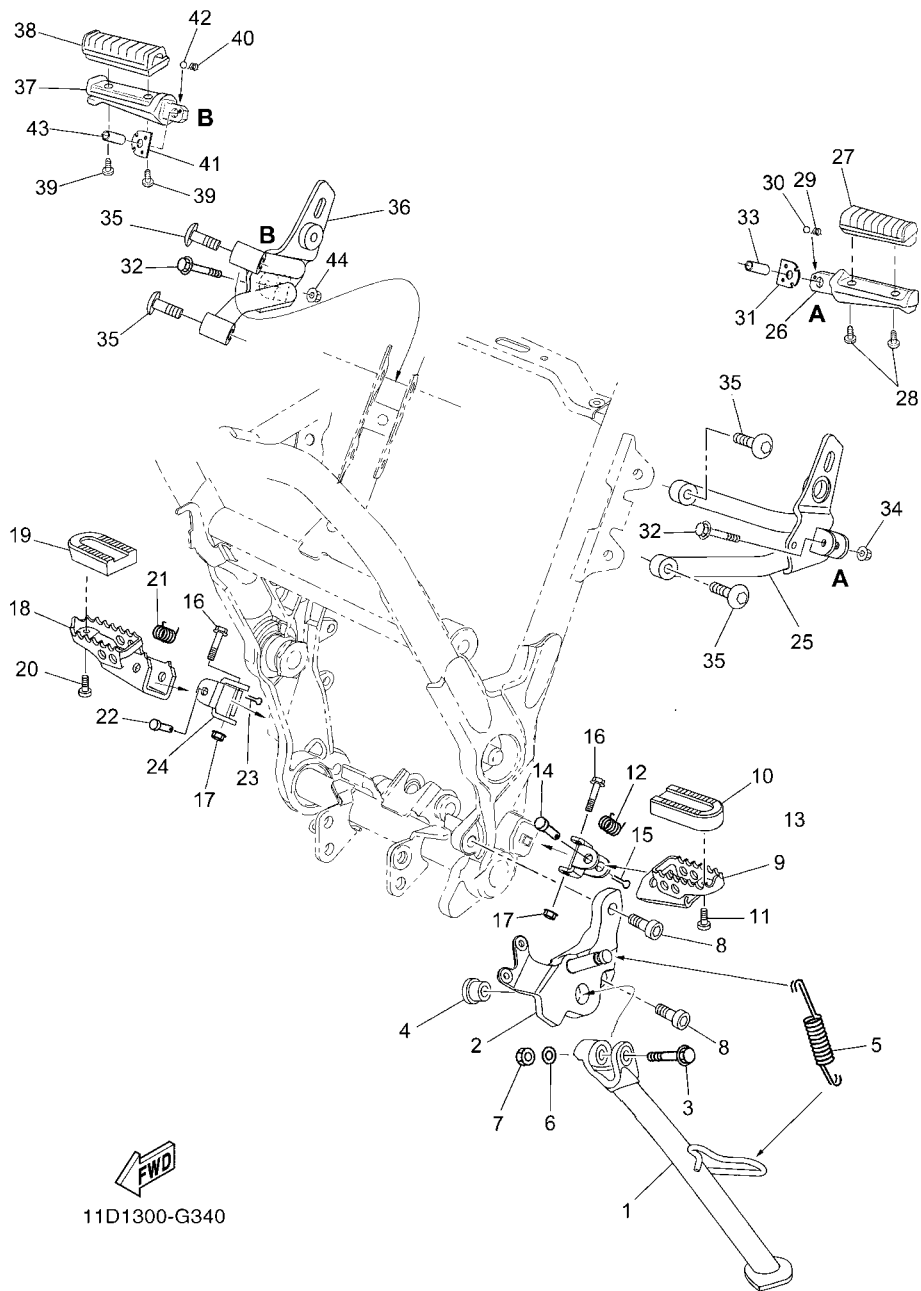


FIG. 34 STAND & FOOTREST



11D1300-G340

REF. NO.	PART NO.	DESCRIPTION	010	020	030	REMARKS
28	90157-05079	SCREW, PAN HEAD	2	2	2	
29	90501-15001	SPRING, COMPRESSION	1	1	1	
30	93501-04011	BALL	1	1	1	
31	5JJ-27437-01	WASHER, SPECIAL	1	1	1	
32	95817-06040	BOLT, FLANGE	2	2	2	
33	90387-06014	COLLAR	1	1	1	
34	95604-06200	NUT, U FLANGE	1	1	1	
35	90110-08221	BOLT, HEXAGON SOCKET HEAD	4	4	4	
36	11D-F742L-00	BRACKET 5	1	1	1	
37	11D-F743G-00	BAR, REAR FOOTREST 2	1	1	1	
38	1B9-F7454-00	COVER, FOOTREST	1	1	1	
39	90157-05079	SCREW, PAN HEAD	2	2	2	
40	90501-15001	SPRING, COMPRESSION	1	1	1	
41	5JJ-27437-01	WASHER, SPECIAL	1	1	1	
42	93501-04011	BALL	1	1	1	
43	90387-06014	COLLAR	1	1	1	
44	95604-06200	NUT, U FLANGE	1	1	1	

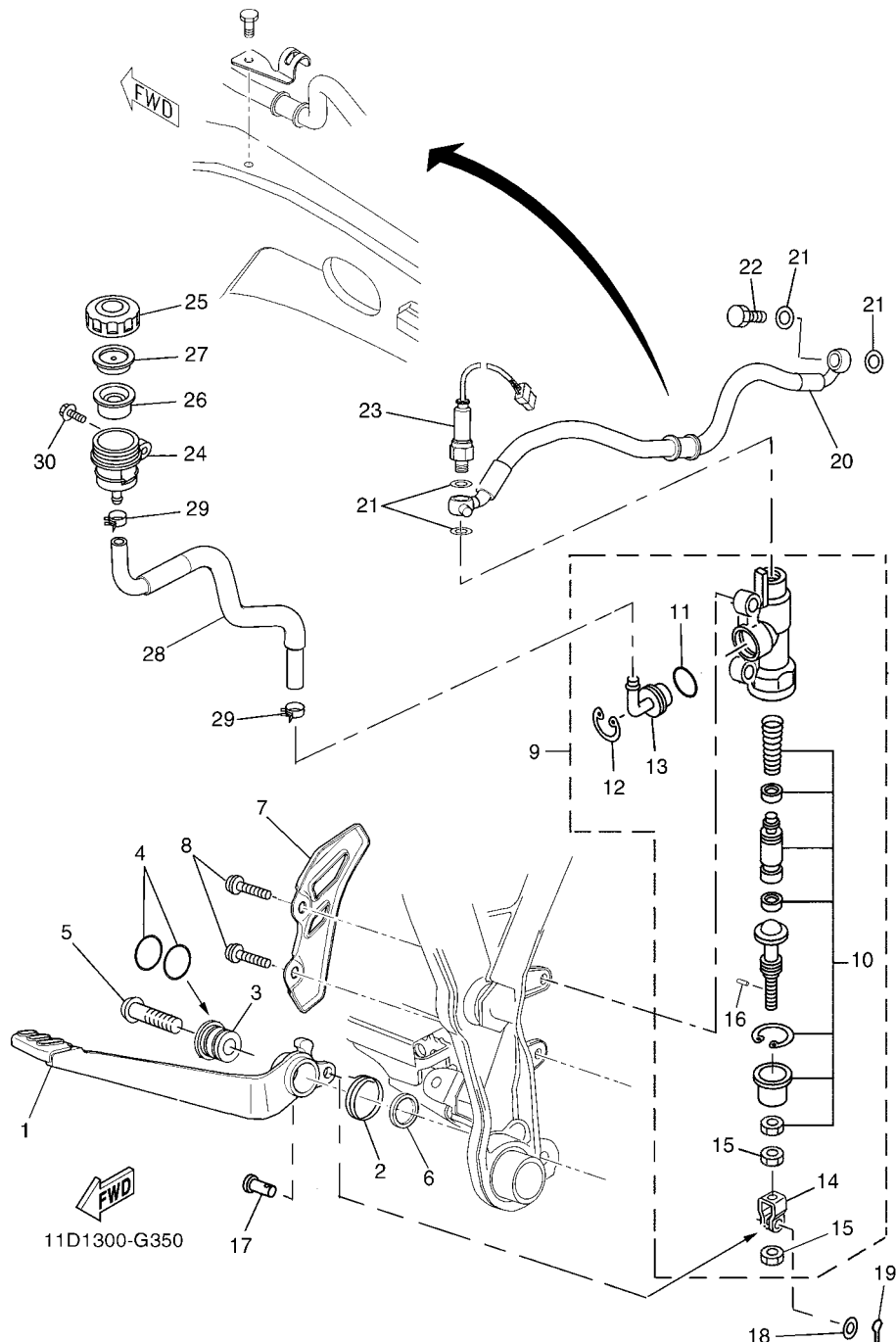


FIG. 35 REAR MASTER CYLINDER

REF. NO.	PART NO.	DESCRIPTION	010	020	030	REMARKS
1	11D-F7211-00	PEDAL, BRAKE	1	1	1	
2	11D-F7216-00	SPRING, RETURN	1	1	1	
3	5YK-F7213-00	COLLAR	1	1	1	
4	93210-15414	O-RING	2	2	2	
5	92017-10045	BOLT, BUTTON HEAD	1	1	1	
6	90201-100L3	WASHER, PLATE	1	1	1	
7	11D-F7446-00	PLATE 2	1	1	1	
8	92014-08025	BOLT, BUTTON HEAD	2	2	2	
9	5VK-2583V-00	RR. MASTER CYLINDER ASSY.	1	1	1	
10	3BN-W0042-50	.CYLINDER KIT, MASTER	1	1	1	
11	93210-15620	.O-RING	1	1	1	
12	2VN-25866-00	.CIRCLIP	1	1	1	
13	4ML-2582A-50	.JOINT	1	1	1	
14	2YK-27222-00	.JOINT	1	1	1	
15	4SS-27218-00	.NUT	2	2	2	
16	3KW-27234-00	.PIN, BRAKE ROD	1	1	1	
17	90240-08124	PIN, CLEVIS	1	1	1	
18	90201-08083	WASHER, PLATE	1	1	1	
19	91401-20012	PIN, COTTER	1	1	1	
20	11D-F5873-00	HOSE, BRAKE 2	1	1	1	
21	90201-10X07	WASHER, PLATE	4	4	4	
22	90401-10X03	BOLT, UNION	1	1	1	
23	11D-H2530-00	STOP SWITCH ASSY	1	1	1	
24	5JJ-25894-01	TANK, RESERVOIR	1	1	1	
25	3XP-25852-50	CAP, RESERVOIR	1	1	1	
26	2VN-25854-00	GASKET, DIAPHRAGM	1	1	1	
27	2VN-25855-00	BUSH,DIAPHRAGM	1	1	1	

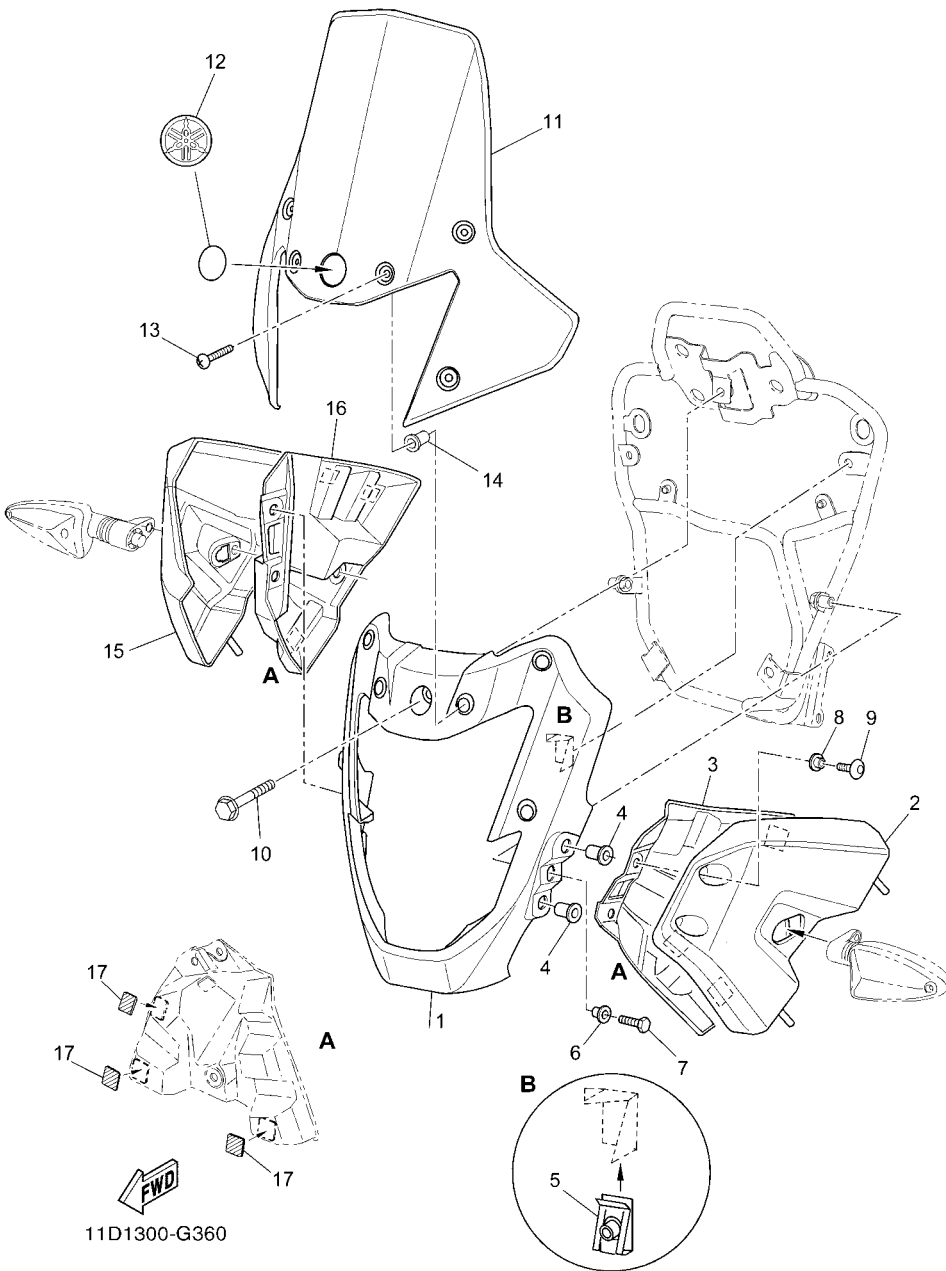
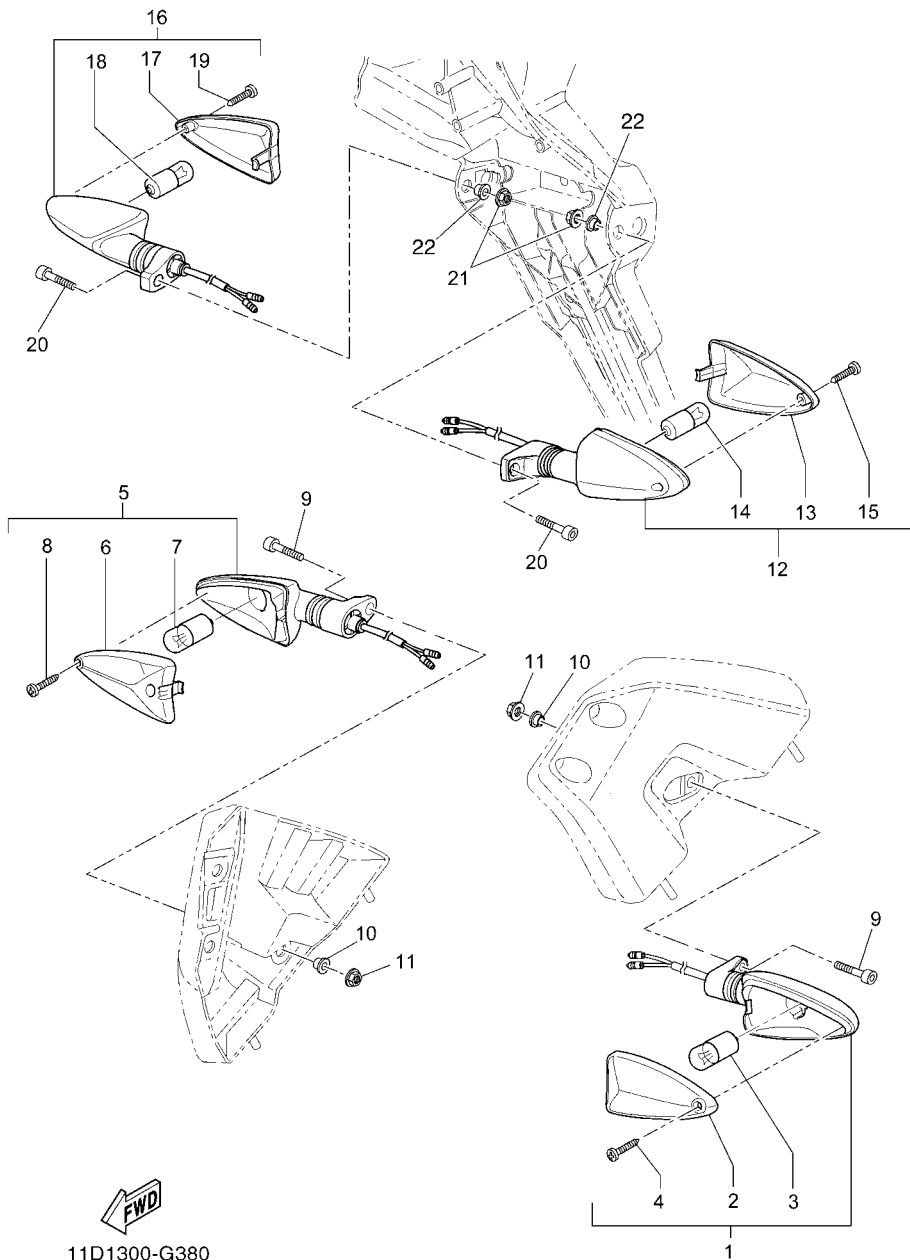


FIG. 36 COWLING

REF. NO.	PART NO.	DESCRIPTION	010	020	030	REMARKS
1	11D-F8351-00-P3	BODY, COWLING	1	1	1	FOR BMC
	11D-F8351-00-P0	BODY, COWLING	1	1	1	FOR SMX
	11D-F8351-00-P5	BODY, COWLING	1	1	1	FOR DRMU
2	11D-F842M-00	COVER 1	1	1	1	
3	11D-F836L-00	PANEL, INNER 2	1	1	1	
4	90179-06520	NUT	4	4	4	
5	2VW-F1736-00	NUT,PLATE	2	2	2	
6	90387-06X02	COLLAR	2	2	2	
7	97017-06025	BOLT	2	2	2	
8	90387-06X09	COLLAR	4	4	4	
9	90111-06X20	BOLT,HEX. SOCKET BUTTON	4	4	4	
10	95817-06050	BOLT, FLANGE	1	1	1	
11	11D-F8381-00	WINDSHIELD	1	1	1	
12	11D-F836B-00	TUNING FORK MARK	1	1	1	
13	90150-05024	SCREW, ROUND HEAD	6	6	6	
14	90179-05523	NUT	6	6	6	
15	11D-F842N-00	COVER 2	1	1	1	
16	11D-F836M-00	PANEL, INNER 3	1	1	1	
17	11D-F836U-00	DAMPER, LOCATING 2	6	6	6	

FIG. 38 FLASHER LIGHT

REF. NO.	PART NO.	DESCRIPTION	010	020	030	REMARKS
1	11D-H3310-00	FRONT FLASHER LIGHT ASSY 1	1	1	1	
2	5D7-H3312-00	.LENS, FLASHER	1	1	1	
3	5VK-H3311-00	.BULB, FLASHER (12V/10W)	1	1	1	
4	97780-30116	.SCREW, TAPPING	1	1	1	
5	11D-H3320-00	FRONT FLASHER LIGHT ASSY 2	1	1	1	
6	5D7-H3322-00	.LENS, FLASHER 2	1	1	1	
7	5VK-H3311-00	.BULB, FLASHER (12V/10W)	1	1	1	
8	97780-30116	.SCREW, TAPPING	1	1	1	
9	9131M-06020	BOLT	2	2	2	
10	90387-06X01	COLLAR	2	2	2	
11	90185-06837	NUT, SELF-LOCKING	2	2	2	
12	11D-H3330-00	REAR FLASHER LIGHT ASSY 1	1	1	1	
13	5D7-H3322-00	.LENS, FLASHER 2	1	1	1	
14	5VK-H3311-00	.BULB, FLASHER (12V/10W)	1	1	1	
15	97780-30116	.SCREW, TAPPING	1	1	1	
16	11D-H3340-00	REAR FLASHER LIGHT ASSY 2	1	1	1	
17	5D7-H3312-00	.LENS, FLASHER	1	1	1	
18	5VK-H3311-00	.BULB, FLASHER (12V/10W)	1	1	1	
19	97780-30116	.SCREW, TAPPING	1	1	1	
20	9131M-06020	BOLT	2	2	2	
21	90185-06837	NUT, SELF-LOCKING	2	2	2	
22	90387-06M31	COLLAR	2	2	2	



11D1300-G380

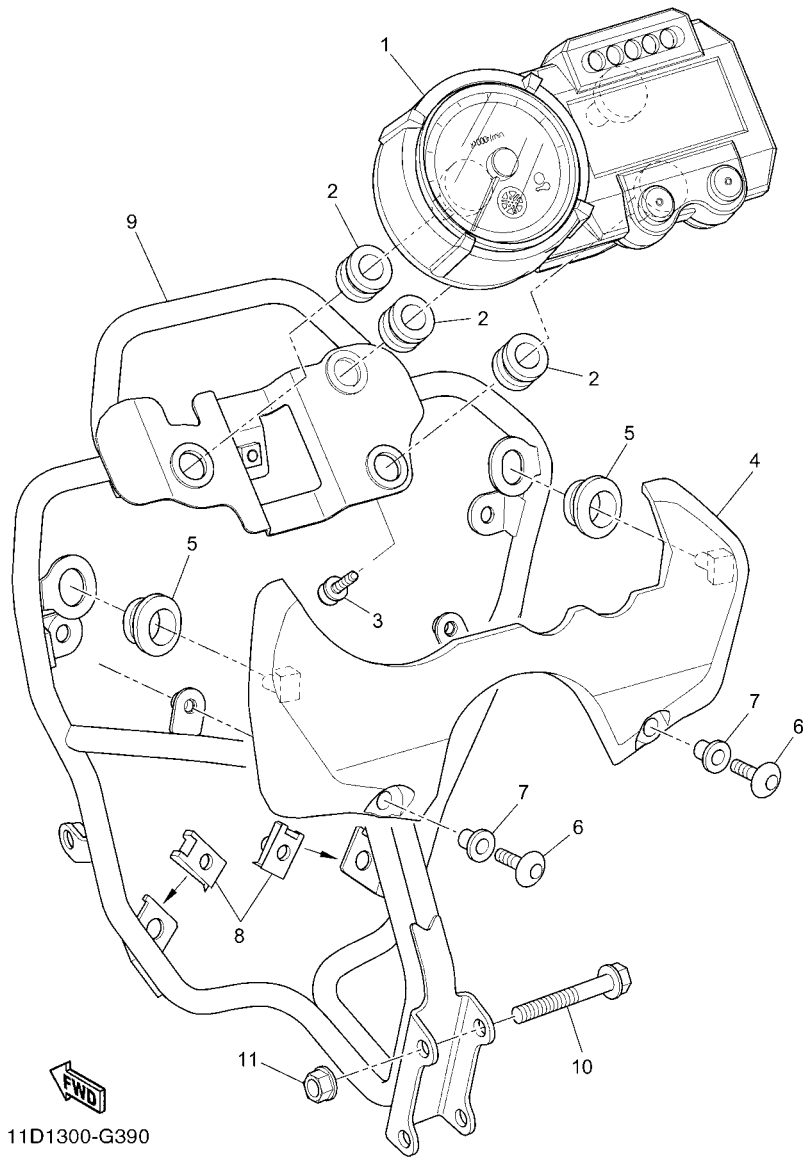
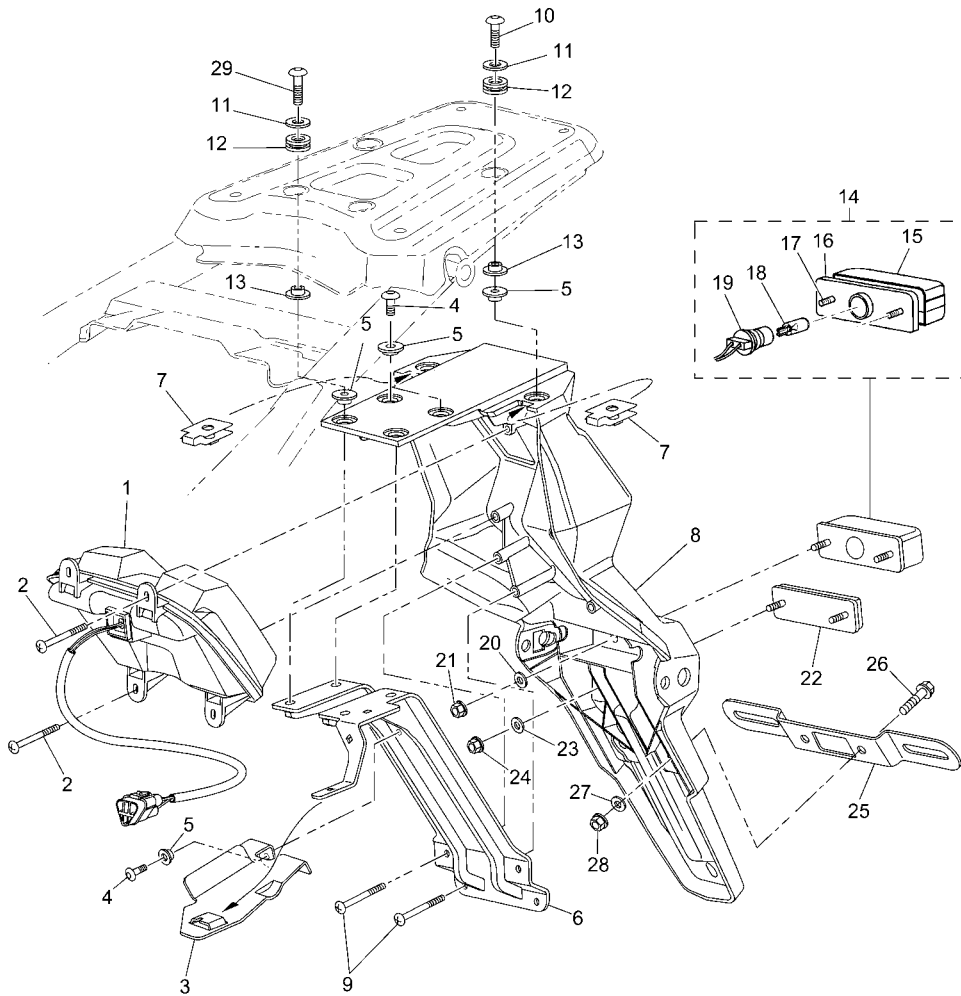


FIG. 39 METER

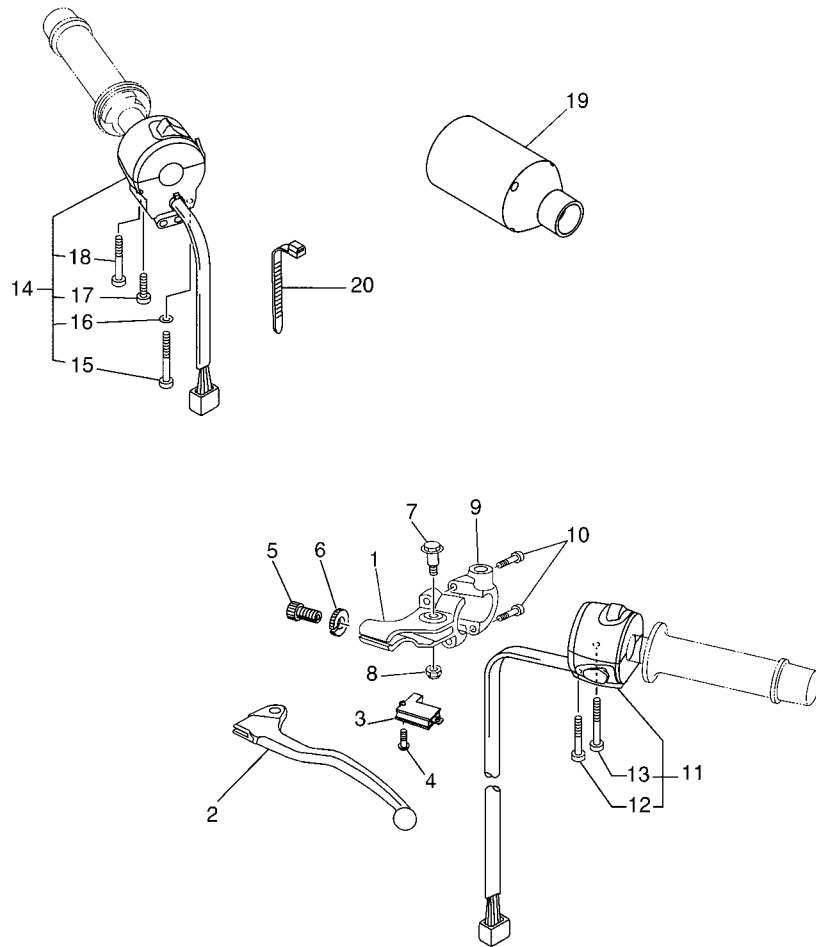
REF. NO.	PART NO.	DESCRIPTION	010	020	030	REMARKS
1	11D-H3500-00	METER ASSY	1	1	1	
2	5CH-H3523-00	DAMPER	3	3	3	
3	90164-05014	SCREW, TAPPING	3	3	3	
4	11D-F836K-00	PANEL, INNER 1	1	1	1	
5	90480-01558	GROMMET	2	2	2	
6	90111-06X17	BOLT,HEX. SOCKET BUTTON	2	2	2	
7	90387-06X38	COLLAR	2	2	2	
8	2VW-F1736-00	NUT,PLATE	2	2	2	
9	11D-F8356-00	STAY 1	1	1	1	
10	95817-08045	BOLT, FLANGE	2	2	2	
11	95607-08200	NUT, SELF-LOCKING	2	2	2	

FIG. 41 TAILLIGHT

REF. NO.	PART NO.	DESCRIPTION	010	020	030	REMARKS
1	11D-H4710-00	TAILLIGHT UNIT ASSY	1	1	1	
2	97707-40012	SCREW, TAPPING	4	4	4	
3	11D-H2589-01	PROTECTOR, WIRE HARNESS	1	1	1	
4	9201L-06014	BOLT, BUTTON HEAD	3	3	3	
5	90387-06X41	COLLAR	7	7	7	
6	11D-F1670-01	REINF. COMP.	1	1	1	
7	47X-21736-01	NUT, PLATE	2	2	2	
8	11D-F1685-00	BRACKET, LICENSE	1	1	1	
9	97707-40020	SCREW, TAPPING	4	4	4	
10	92017-06020	BOLT, BUTTON HEAD	2	2	2	
11	90201-06X14	WASHER, PLATE	4	4	4	
12	90480-11006	GROMMET	4	4	4	
13	90387-06X42	COLLAR	4	4	4	
14	11D-H4745-00	LICENCE LIGHT UNIT ASSY	1	1	1	
15	5YK-H4749-00	.BODY, LICENCE LIGHT	1	1	1	
16	5YK-H4741-00	.BASE, LICENCE LIGHT	1	1	1	
17	9770L-30110	.SCREW, TAPPING	2	2	2	
18	*	.BULB (12V-5W)	1	1	1	LM
19	11D-H4547-00	.CORD, LICENCE LIGHT	1	1	1	
20	9290L-05200	WASHER	2	2	2	
21	9570L-05300	NUT, FLANGE	2	2	2	
22	5YK-H5130-00	REAR REFLECTOR ASSY	1	1	1	
23	92907-04200	WASHER	2	2	2	
24	9570L-04300	NUT, FLANGE	2	2	2	
25	3SH-H4551-00	BRACKET, LICENCE	1	1	1	
26	9581M-06016	BOLT, FLANGE	2	2	2	
27	90201-06X14	WASHER, PLATE	2	2	2	



11D1300-G410



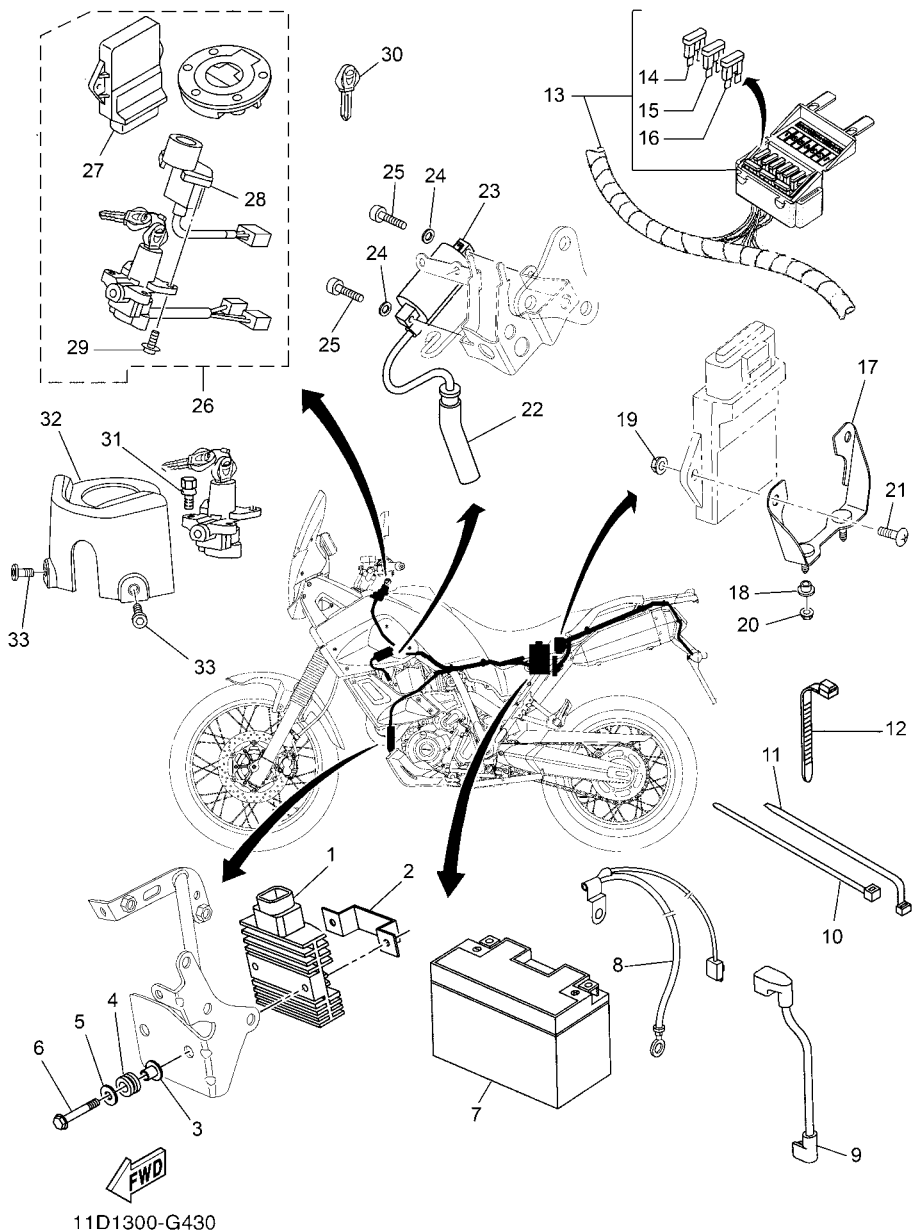

11D1300-G420

FIG. 42 HANDLE SWITCH & LEVER

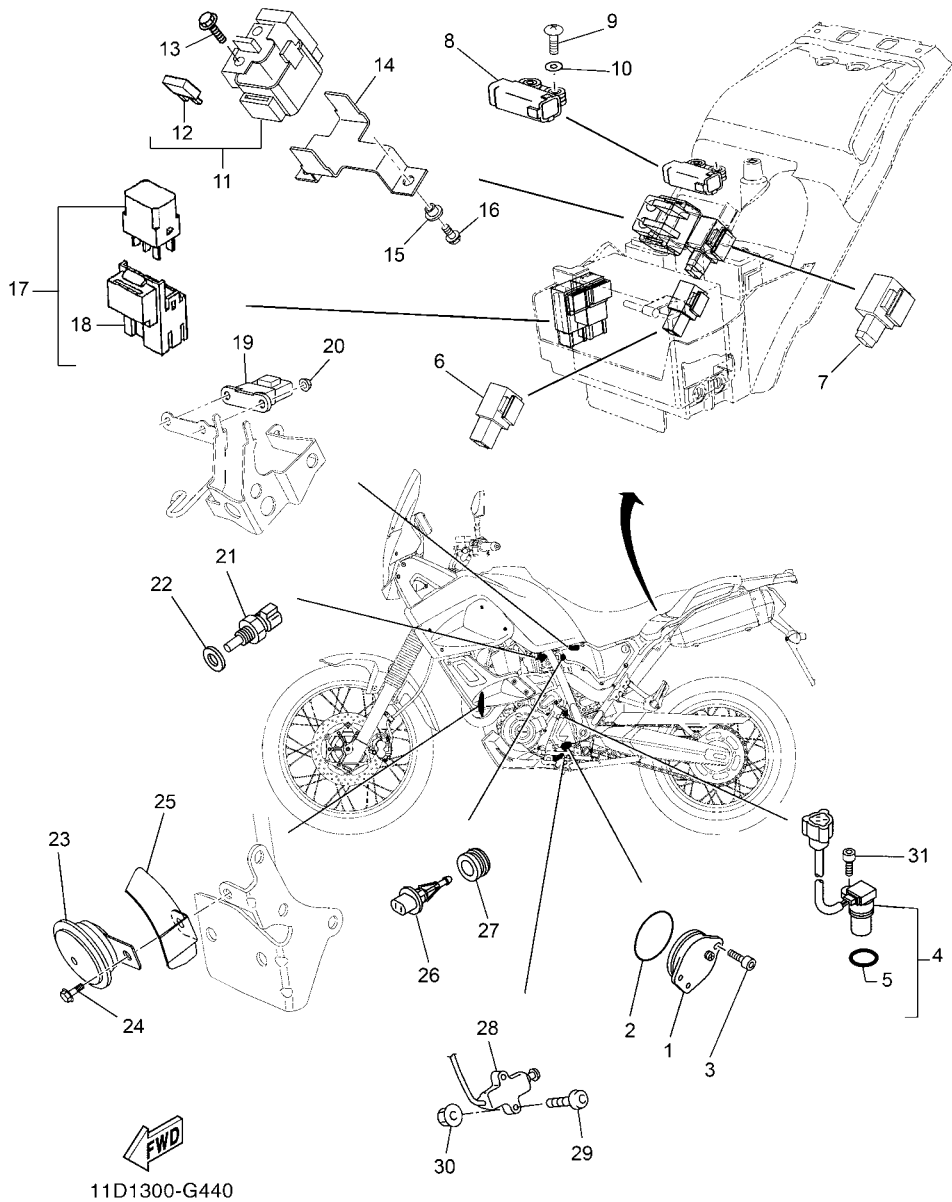
REF. NO.	PART NO.	DESCRIPTION	010	020	030	REMARKS
1	11D-H2911-00	HOLDER, LEVER 1	1	1	1	
2	11D-H3912-00	LEVER 1	1	1	1	
3	3YX-82917-01	SWITCH	1	1	1	
4	98707-03020	SCREW, FLAT HEAD	1	1	1	
5	11D-H3951-00	BOLT, CABLE ADJUSTING	1	1	1	
6	5D7-H3927-00	NUT, ADJUSTING	1	1	1	
7	11D-H3945-00	BOLT, LEVER	1	1	1	
8	90185-06837	NUT, SELF-LOCKING	1	1	1	
9	11D-H2913-00	HOLDER, LEVER LOWER 1	1	1	1	
10	11D-H3546-00	BOLT	2	2	2	
11	5VK-83969-00	SWITCH, HANDLE 5	1	1	1	
12	98507-05030	.SCREW, PAN HEAD	1	1	1	
13	98507-05045	.SCREW, PAN HEAD	1	1	1	
14	5VK-83975-00	SWITCH, HANDLE 2	1	1	1	
15	98507-05055	.SCREW, PAN HEAD	1	1	1	
16	92907-05600	.WASHER, PLATE	1	1	1	
17	98507-05045	.SCREW, PAN HEAD	1	1	1	
18	98507-05020	.SCREW, PAN HEAD	1	1	1	
19	11D-H1662-00	COVER, CONNECTER	1	1	1	
20	90464-25004	CLAMP	4	4	4	

FIG. 43 ELECTRICAL 1

REF. NO.	PART NO.	DESCRIPTION	010	020	030	REMARKS
1	4XY-81960-00	RECTIFIER & REGULATOR ASSY	1	1	1	
2	11D-F1287-00	BRACKET, REGULATOR	1	1	1	
3	90387-06042	COLLAR	2	2	2	
4	90480-15363	GROMMET	2	2	2	
5	90201-06072	WASHER, PLATE	2	2	2	
6	95807-06040	BOLT, FLANGE	2	2	2	
7	5FL-82100-01	BATTERY ASSY (GT9B-4)	1	1	1	
8	11D-H2116-00	WIRE, MINUS LEAD	1	1	1	
9	5YK-82115-00	WIRE, PLUS LEAD	1	1	1	
10	4GV-H3936-00	BAND, SWITCH CORD	11	11	11	
11	2AJ-F3192-50	BAND	15	15	15	
12	90464-25004	CLAMP	2	2	2	
13	11D-H2590-00	WIRE HARNESS ASSY	1	1	1	
14	5JJ-82151-00	.FUSE (7.5A-BL)	2	2	2	
15	5JJ-82151-30	.FUSE (10A-BL)	6	6	6	
16	5JJ-82151-20	.FUSE (20A-BL)	2	2	2	
17	11D-H5991-00	BRACKET, UNIT	1	1	1	
18	90387-06202	COLLAR	2	2	2	
19	9570L-06500	NUT, FLANGE	2	2	2	
20	95607-06200	NUT, SELF U-FLANGE	2	2	2	
21	90111-06X19	BOLT, HEX. SOCKET BUTTON	2	2	2	
22	5VK-82370-00	PLUG CAP ASSY	1	1	1	
23	4GV-82310-00	IGNITION COIL ASSY	1	1	1	
24	9290M-05600	WASHER	2	2	2	
25	9131M-05020	BOLT	2	2	2	
26	11D-W8250-10	MAIN SW. IMMOBILIZER KIT	1	1	1	
27	11D-8591A-00	.ENGINE CONTROL UNIT ASSY	1	1	1	



11D1300-G430



11D1300-G440

FIG. 44 ELECTRICAL 2

REF. NO.	PART NO.	DESCRIPTION	010	020	030	REMARKS
1	1AE-82540-00	NEUTRAL SWITCH ASSY	1	1	1	
2	93210-29X00	O-RING	1	1	1	
3	90110-06122	BOLT, HEXAGON SOCKET HEAD	2	2	2	
4	11D-83755-00	SENSOR, SPEED	1	1	1	
5	4D9-81168-00	.O-RING	1	1	1	
6	4GY-83350-00	FLASHER RELAY ASSY	1	1	1	
7	5VK-81950-40	RELAY ASSY	1	1	1	
8	2S5-H2576-00	SENSOR, LEAN ANGLE	1	1	1	
9	97707-40025	SCREW, TAPPING	2	2	2	
10	90201-047A2	WASHER, PLATE	2	2	2	
11	4SV-81940-12	STARTER RELAY ASSY	1	1	1	
12	1AE-82151-00	.FUSE (30A-BL)	2	2	2	
13	95027-06008	BOLT, FLANGE	2	2	2	
14	11D-H1953-00	STAY, RELAY	1	1	1	
15	90387-06202	COLLAR	2	2	2	
16	9581M-06014	BOLT, FLANGE	2	2	2	
17	5EA-81950-20	RELAY ASSY	2	2	2	
18	5EA-81952-00	.HOLDER, RELAY	1	1	1	
19	5PS-82380-00	SENSOR, PRESSURE	1	1	1	
20	9571L-06300	NUT, FLANGE	2	2	2	
21	5PS-85790-00	THERMOSENSOR ASSY	1	1	1	
22	90430-12X00	GASKET	1	1	1	
23	5VK-H3371-00	HORN	1	1	1	
24	9581M-06012	BOLT, FLANGE	1	1	1	
25	11D-H3376-00	COVER, HORN	1	1	1	
26	5VU-85886-00	SENSOR, AIR TEMPRATURE	1	1	1	
27	5CA-14435-00	GROMMET	1	1	1	

NUMERICAL INDEX

PART NO.	REF. NO.	PART NO.	REF. NO.	PART NO.	REF. NO.	PART NO.	REF. NO.	PART NO.	REF. NO.	PART NO.	REF. NO.
4G0-11133-11	1 - 2	5YK-13971-00	26 - 32	4V4-23188-L0	25 - 17	5EA-81950-20	44 - 17	5VK-E2241-00	5 - 11	11D-E4718-00	12 - 26
5VK-11181-00	1 - 5	5PS-14147-00	10 - 9		25 - 38	5VK-81950-40	44 - 7	11D-E2405-00	7 - 8	11D-E4728-00	12 - 37
214-11198-01	8 - 14	8CC-14216-10	10 - 5	1W1-23416-00	24 - 3	5EA-81952-00	44 - 18	11D-E240J-00	7 - 15	5CH-E4766-00	12 - 19
5VK-11311-00	2 - 1	5CA-14435-00	44 - 27	3YF-23418-00	24 - 6	4XY-81960-00	43 - 1	11D-E240K-00	7 - 30	11D-E4770-00	12 - 43
5VK-11351-00	2 - 2	5VK-14503-00	10 - 6	1E6-23441-10-35	24 - 11	5FL-82100-01	43 - 7	5VK-E2413-00	7 - 2	5YK-E477R-00	12 - 3
5VK-11400-00	3 - 1	5VK-14531-00	10 - 7	3AJ-23442-00-35	24 - 12	5SL-82113-01	43 - 29	5VK-E2436-00	6 - 1	5YK-E477T-00	12 - 10
5VK-11401-09	3 - 2	3YF-14613-01	12 - 9	5JW-24486-00	26 - 18	5YK-82115-00	43 - 9	5YK-E243A-00	9 - 30	11D-E4787-00	12 - 28
5VK-11422-00	3 - 3	4EL-14714-00	12 - 6	11D-24602-00	26 - 3	1AE-82151-00	44 - 12	5YK-E244G-00	9 - 22	11D-E4798-00	12 - 39
5VK-11603-00	3 - 12	5VK-14803-00	11 - 1	5VK-25181-00	28 - 12	5JJ-82151-00	43 - 14	11D-E2461-00	7 - 7	11D-E4881-00	11 - 5
5VK-11631-00	3 - 11	5VK-14815-00	11 - 3	5VK-25311-00	30 - 1	5JJ-82151-20	43 - 16	5VK-E2462-00	7 - 9	11D-E4882-00	11 - 7
5VK-11633-00	3 - 13	5VK-14871-02	11 - 2	5Y1-25364-00	30 - 12	5JJ-82151-30	43 - 15	5VK-E2469-00	6 - 16	5VK-E5100-00	13 - 1
5VK-11651-00	3 - 6	5VK-15455-00	14 - 35	5VK-25366-00	30 - 5	4GV-82310-00	43 - 23	11D-E2498-00	7 - 24	5VK-E5118-00	14 - 25
5VK-11681-00	3 - 4	3YF-15515-00	15 - 1	1VJ-25377-00	30 - 7	5VK-82370-00	43 - 22	5VK-E2577-00	6 - 22	11D-E5199-00	15 - 23
5VK-12111-00	4 - 1	5VK-15590-00	15 - 8	10S-25381-00	30 - 20	5PS-82380-00	44 - 19	11D-E2578-00	7 - 5	11D-E5371-10	9 - 21
5VK-12113-00	4 - 3	2JN-16154-00	16 - 14	3HT-25398-00	28 - 10	5SL-82511-08	43 - 30	11D-E2579-00	7 - 14	5VK-E5383-00	13 - 16
3YF-12116-00	4 - 4	22U-16321-00	16 - 11		30 - 18	1AE-82540-00	44 - 1	5B2-E2623-00	7 - 11	5VK-E5416-00	14 - 27
3YF-12117-01	4 - 6	5TA-16321-00	16 - 18	5VK-25445-01	30 - 10	5YK-8255P-00	43 - 28	11D-E2622-00	7 - 13	11D-E5421-00	14 - 16
4G0-12118-00	4 - 7	4X7-16325-00	16 - 10	4ML-2582A-50	35 - 13	5VS-82566-61	44 - 28	5B2-E2671-00	7 - 12	5VK-E5431-00	14 - 19
5H0-12119-00	4 - 5	5VK-16331-00	16 - 15	5VK-2583V-00	35 - 9	3YX-82917-01	42 - 3	5B2-E2675-00	7 - 10	5VK-E5441-01	14 - 23
5VK-12121-00	4 - 2	5VK-16340-00	16 - 22	5VS-25852-00	33 - 3	4GY-83350-00	44 - 6	5VK-E3181-00	8 - 15	5VK-E5451-10	14 - 2
5VK-12146-00	4 - 10	132-16346-00	18 - 10	3XP-25852-50	35 - 25	11D-83755-00	44 - 4	5VK-E3300-00	8 - 1	5VK-E5453-10	14 - 28
5BP-12159-01	4 - 11	5VK-16351-00	16 - 8	20S-25854-00	33 - 5	5VS-83922-00	33 - 9	5VK-E3327-00	8 - 8	5VK-E5462-10	14 - 20
4DW-12213-00	5 - 15	4XV-16356-01	16 - 21	2VN-25854-00	35 - 26	5VK-83969-00	42 - 11	5VK-E3356-00	8 - 7	11D-E5491-00	14 - 36
5VK-12280-01	5 - 5	5VK-16371-00	16 - 7	5VN-25855-00	35 - 27	5VK-83975-00	42 - 14	5VK-E3415-10	8 - 11	11D-E5492-01	13 - 12
5VK-12284-00	5 - 3	5JG-16383-00	16 - 16	5VS-25855-00	33 - 4	4HM-83980-00	33 - 12	11D-E3542-00	9 - 26	5VK-E5511-00	15 - 12
5VK-12290-00	5 - 4	5JG-16384-00	16 - 17	2VN-25866-00	35 - 12	5PS-85790-00	44 - 21	11D-E3545-00	9 - 28	5VK-E5517-00	15 - 5
5VK-12410-00	7 - 1	5VK-18101-00	19 - 1	5VS-25867-00	33 - 11	3P6-85885-00	10 - 10	5VK-E3586-10	9 - 1	5VK-E5522-00	15 - 4
5VK-12421-00	6 - 6	5VK-18127-00	18 - 12	5JJ-25894-01	35 - 24	5VU-85886-00	44 - 26	11D-E4411-00	9 - 8	5VK-E5560-00	15 - 6
5VK-12422-00	6 - 3	5JW-18140-00	18 - 11	11D-25895-00	35 - 28	11D-8591A-00	43 - 27	11D-E441A-00	9 - 5	5VK-E6111-00	16 - 1
5VK-12428-00	6 - 11	5VK-18540-00	18 - 1	5VS-2589F-00	33 - 7	1B9-8592A-00	12 - 2	11D-E441E-00	9 - 13	5VK-E6150-00	16 - 6
11H-12438-10	6 - 9	4UN-18542-00	18 - 3	5VS-2589H-00	33 - 6	5VK-E1101-00	1 - 1	11D-E4430-00	9 - 10	5VK-E6382-00	16 - 24
5VK-12450-00	6 - 2	4UN-18566-00	18 - 4	4YR-26240-02	32 - 2	11D-E111B-00	12 - 27	11D-E443E-00	9 - 15	5VK-E7121-00	17 - 10
5VK-12459-00	6 - 14	2J5-21732-00	20 - 13	4YR-26241-02	32 - 3	5VK-E111F-00	5 - 6	11D-E4451-00	9 - 9	5VK-E7131-00	17 - 5
5VK-12481-00	6 - 19	47X-21736-01	41 - 7	5VS-26332-00	33 - 10	11D-E112B-00	12 - 38	11D-E4452-00	9 - 7	5VK-E7141-00	17 - 2
583-13113-00	8 - 32	4YR-22141-10	22 - 30	1E6-26342-00	32 - 5	11D-E113B-00	12 - 13	11D-E4453-00	9 - 3	5VK-E7141-10	17 - 2
5VK-13160-00	10 - 2	10V-22178-00	20 - 19	4SS-27218-00	35 - 15	11D-E113B-10	12 - 15	11D-E4457-00	9 - 14	5VK-E7151-00	17 - 6
5VK-13161-00	8 - 25	30X-22178-00	20 - 24	2YK-27222-00	35 - 14	5YK-E1166-00	13 - 13	5YK-E4611-10	12 - 1	5VK-E7151-10	17 - 6
5VK-13171-00	8 - 28	10V-22184-00	20 - 20	3KW-27234-00	35 - 16	11D-E1167-00	9 - 19	5YK-E4612-00	12 - 7	5VK-E7211-00	17 - 22
3AJ-13325-00	8 - 5	30X-2219X-00	22 - 5	3LD-27411-01	34 - 9	5VK-E1185-00	1 - 13	5YK-E4621-00	12 - 5	5VK-E7221-00	17 - 14
5LP-13329-00	8 - 2	1C3-22969-10	22 - 25	3LD-27413-00	34 - 10	5VK-E1186-00	1 - 17	11D-E4624-00	12 - 14	5VK-E7231-00	17 - 18
11D-13405-00	8 - 40	3XJ-23125-L0	25 - 10		34 - 19	5VK-E1454-00	3 - 18	11D-E4628-00	12 - 12	5VK-E7241-00	17 - 21
4X7-13440-01	8 - 17		25 - 31	3LD-27421-01	34 - 18	5VK-E1531-00	3 - 17	11D-E4631-00	12 - 20	5VK-E7251-00	17 - 17
2WK-13447-00	8 - 18	4DA-23144-L0	25 - 14	5JJ-27437-01	34 - 31	5VK-E1536-00	3 - 16	11D-E4648-00	12 - 33	5VK-E7401-00	17 - 1
5VK-13464-00	8 - 35		25 - 35		34 - 41	5VK-E2151-00	4 - 8	11D-E4708-00	12 - 25	5VK-E7402-00	17 - 13
11D-13467-00	8 - 39	4DA-23145-L0	25 - 11	4D9-81168-00	44 - 5	5VK-E2161-00	4 - 9	11D-E4708-10	12 - 36	5VK-E7460-10	17 - 32
5YK-13750-11	10 - 1		25 - 32	5VK-81410-00	37 - 1	5VK-E2170-10	5 - 1	11D-E4710-00	12 - 24	5VK-E7466-00	14 - 17
5VK-13761-00	10 - 8	3XJ-23171-L0	25 - 5	5VK-81450-10	37 - 2	5VK-E2210-00	5 - 13	5YK-E4714-00	12 - 23	5VK-E7471-00	17 - 29
11D-13907-01	26 - 16		25 - 26	4SV-81940-12	44 - 11	5VK-E2231-00	5 - 10	11D-E4715-00	12 - 21	11D-E8110-00	19 - 2

NUMERICAL INDEX

PART NO.	REF. NO.	PART NO.	REF. NO.	PART NO.	REF. NO.	PART NO.	REF. NO.	PART NO.	REF. NO.	PART NO.	REF. NO.
5VK-E8113-00	19 - 3	11D-F2123-00	22 - 7	11D-F412G-00	26 - 29	5DS-F5825-00	29 - 5	5DS-F8317-00	12 - 48	5CH-H3523-00	39 - 2
5VK-E8144-00	18 - 9	11D-F2151-00	22 - 24	11D-F413B-00	26 - 15		29 - 12	11D-F8351-00-P0	36 - 1	11D-H3546-00	42 - 10
5VK-E8501-00	18 - 6	11D-F217A-00	22 - 14	11D-F4141-00	26 - 12		31 - 5	11D-F8351-00-P3	36 - 1	11D-H3912-00	42 - 2
5VK-E8502-00	18 - 7	5JN-F217M-00	22 - 15	4SU-F415E-00	26 - 38	5VK-F582W-00	31 - 8	11D-F8351-00-P5	36 - 1	5D7-H3927-00	42 - 6
5VK-E8503-00	18 - 8	11D-F2210-00	23 - 1	11D-F4181-00	26 - 30	11D-F5872-00	33 - 16	11D-F8356-00	39 - 9	4GV-H3936-00	43 - 10
5VK-E8699-00	18 - 20	11D-F2311-00	22 - 28	11D-F4182-00	26 - 9	11D-F5873-00	35 - 20	11D-F836B-00	36 - 12	11D-H3945-00	42 - 7
11D-F1110-00-98	20 - 1	11D-F3102-00	25 - 1	11D-F4183-00	20 - 30	5DS-F5917-00	29 - 7	11D-F836K-00	39 - 4	11D-H3951-00	42 - 5
11D-F1165-00	25 - 49	11D-F3103-00	25 - 22	11D-F4192-00	26 - 6		29 - 14	11D-F836L-00	36 - 3	11D-H410A-00	40 - 1
5YK-F117B-A0	12 - 47	11D-F3108-00	25 - 3	11D-F4230-10	26 - 2		31 - 7	11D-F836M-00	36 - 16	5B2-H4301-00	40 - 4
11D-F118W-10	20 - 27		25 - 24	11D-F4230-20	26 - 2	5DS-F5919-00	29 - 6	11D-F836U-00	26 - 25	11D-H4312-00	40 - 5
11D-F1287-00	43 - 2	11D-F3110-00	25 - 4	11D-F4240-10	26 - 2		29 - 13		36 - 17	5B2-H4314-00	40 - 3
11D-F1315-00	20 - 17		25 - 25	11D-F4243-00	26 - 28	5VK-F5919-10	31 - 4	11D-F8381-00	36 - 11	5JN-H4352-00	40 - 2
11D-F1344-00	20 - 25	11D-F3111-00	25 - 16	11D-F4318-00	26 - 33	5D7-F5924-00	29 - 3	11D-F842M-00	36 - 2	11D-H4547-00	41 - 19
11D-F137W-00	26 - 20		25 - 37	5YK-F4478-00	26 - 35		29 - 10	11D-F842N-00	36 - 15	3SH-H4551-00	41 - 25
11D-F137X-00	26 - 27	11D-F3118-00	25 - 20	11D-F4481-00	27 - 9	5VK-F5924-10	31 - 3	11D-H1662-00	42 - 19	11D-H4710-00	41 - 1
5YK-F1399-00	20 - 18		25 - 41	5YK-F4491-00	26 - 17	11D-F6111-00	32 - 1	5VK-H1801-00	15 - 14	5YK-H4741-00	41 - 16
11D-F1400-00	20 - 6	11D-F3126-00	25 - 2	11D-F4717-00	26 - 11	11D-F6246-00	32 - 4	5VK-H1809-00	15 - 17	11D-H4745-00	41 - 14
11D-F1410-00	20 - 32	5VK-F3128-00	25 - 43	11D-F471K-00	27 - 11	5VK-F6280-00	32 - 9	5VK-H1815-00	15 - 21	5YK-H4749-00	41 - 15
11D-F1471-00	20 - 9	11D-F3136-00	25 - 23	11D-F4731-10	27 - 2	5VK-F6290-00	32 - 10	5VK-H182A-00	15 - 20	5YK-H5130-00	41 - 22
11D-F1494-00	20 - 16	11D-F3141-00	25 - 15	11D-F4731-20	27 - 2	5VK-F6311-00	32 - 6	5VK-H1844-00	15 - 18	11D-H5991-00	43 - 17
11D-F1511-00-P0	21 - 1		25 - 36	5YK-F4741-00	27 - 3	5VK-F6312-00	32 - 7	5VK-H1847-00	15 - 15	5VS-W0041-00	33 - 2
11D-F1511-00-P3	21 - 1	5VK-F3146-00	25 - 12	11D-F474A-00	27 - 5	5VK-F6335-00	32 - 8	5VK-H1850-00	15 - 16	3BN-W0042-50	35 - 10
11D-F1511-00-P5	21 - 1		25 - 33	11D-F474W-00	27 - 7	11D-F7211-00	35 - 1	5VK-H1871-00	15 - 19	5VK-W0046-00	31 - 2
11D-F1568-00	26 - 37	5VK-F3149-00	25 - 21	11D-F4770-10	27 - 1	5YK-F7213-00	35 - 3	3SX-H1890-00	15 - 11	2TV-W2470-00	27 - 21
11D-F1629-00	21 - 17		25 - 42	11D-F4770-20	27 - 1	11D-F7216-00	35 - 2	11D-H1953-00	44 - 14	5PS-W2587-00	33 - 1
11D-F1670-01	41 - 6	5VK-F3151-00	25 - 8	5AD-F4780-00	27 - 18	11D-F7311-00	34 - 1	11D-H2116-00	43 - 8	11D-W8250-10	43 - 26
11D-F1685-00	41 - 8		25 - 29	11D-F478E-00	27 - 26	11D-F7313-00	34 - 4	5VK-WE343-00	35 - 23	5VK-WE343-00	8 - 10
2VW-F1736-00	7 - 19	5VK-F3153-00	25 - 13	11D-F483H-00	27 - 27	11D-F7321-00	34 - 2	11D-H2568-00	43 - 32	5VK-WE541-00	14 - 1
	12 - 35		25 - 34	11D-F4844-00	27 - 10	11D-F741L-00	34 - 25	2S5-H2576-00	44 - 8	5VK-WE544-00	14 - 31
	21 - 12	5VK-F3157-00	25 - 7	11D-F4845-00	27 - 4	11D-F742L-00	34 - 36	11D-H2589-01	41 - 3	11D-XF411-00-P3	26 - 1
	36 - 5		25 - 28	11D-F4846-00	27 - 6	11D-F743A-00	34 - 26	11D-H2590-00	43 - 13	11D-XF411-00-P5	26 - 1
	39 - 8	5JH-F3158-00	25 - 18	11D-F5104-00	28 - 6	11D-F743G-00	34 - 37	11D-H2911-00	42 - 1	11D-XF411-10-P0	26 - 1
11D-F174A-01	21 - 8		25 - 39	11D-F5111-00	28 - 1	11D-F7446-00	35 - 7	11D-H2913-00	42 - 9	90101-06X26	17 - 30
11D-F174T-01	21 - 9	11D-F3170-00	25 - 6	11D-F5117-00	28 - 2	11D-F7452-00	34 - 13	11D-H3310-00	38 - 1	90101-08777	30 - 23
5VK-F1756-00	20 - 2		25 - 27	5VK-F5183-00	28 - 11		34 - 24	5VK-H3311-00	38 - 3	90101-10659	23 - 4
11D-F175H-00	27 - 22	5VK-F3173-00	25 - 9	5VK-F5186-00	28 - 13	1B9-F7454-00	34 - 27		38 - 7	90101-12002	22 - 8
11D-F1761-00	20 - 36		25 - 30	5VK-F5304-00	30 - 13		34 - 38		38 - 14	90105-05016	27 - 24
11D-F176B-00	27 - 13	5VK-F3181-00	25 - 19	10S-F5388-00	30 - 21	11D-F8100-00	26 - 14		38 - 18	90105-06X06	1 - 15
5DS-F1771-00	7 - 33		25 - 40	10S-F5389-00	30 - 22	11D-F8170-00	26 - 13	5D7-H3312-00	38 - 2		7 - 3
11D-F1778-00	21 - 11	11D-F3191-00	25 - 46	11D-F580T-00	29 - 1	11D-F8187-00	26 - 40		38 - 17	90105-06X20	14 - 30
11D-F1779-00	21 - 10	11D-F3192-00	25 - 47	11D-F580U-00	29 - 8	11D-F8199-D0	27 - 29	11D-H3320-00	38 - 5	90105-07004	5 - 8
11D-F177G-00	21 - 7	2AJ-F3192-50	20 - 31	5VK-F580W-00	31 - 1	11D-F8199-E0	27 - 29	5D7-H3322-00	38 - 6	90105-08053	34 - 16
11D-F177M-00	20 - 29		43 - 11	11D-F5811-00	29 - 2	11D-F8199-F0	27 - 29		38 - 13	90105-08154	24 - 10
11D-F177N-00	21 - 18	5VK-F3340-00	25 - 44		29 - 9	11D-F8199-G0	27 - 29	11D-H3330-00	38 - 12		24 - 14
11D-F1823-00	22 - 26	5SE-F3394-00	25 - 45	5VK-F581T-00	29 - 16	11D-F8199-H0	27 - 29	11D-H3340-00	38 - 16	90105-08X20	12 - 4
11D-F1871-00	7 - 31	11D-F3430-00	24 - 9	5SE-F5824-00	31 - 6	11D-F8199-P0	27 - 29	5VK-H3371-00	44 - 23		12 - 11
11D-F1873-00	7 - 37	11D-F4115-00	26 - 21	5D7-F5824-10	29 - 4	11D-F8199-S0	27 - 29	11D-H3376-00	44 - 25		12 - 22
11D-F2110-00	22 - 1	11D-F4116-00	26 - 26		29 - 11	11D-F8199-R-10	21 - 19	11D-H3500-00	39 - 1	90105-09002	1 - 6

NUMERICAL INDEX

PART NO.	REF. NO.	PART NO.	REF. NO.	PART NO.	REF. NO.	PART NO.	REF. NO.	PART NO.	REF. NO.	PART NO.	REF. NO.
90105-09003	1 - 8	90170-20274	16 - 5	90201-30X01	15 - 3	90387-06X36	12 - 34	90467-10008	8 - 44	91317-06012	26 - 19
90105-09004	1 - 7	90170-20327	16 - 20	90202-08X01	26 - 39	90387-06X38	39 - 7	90467-11090	9 - 16	91317-06014	44 - 31
90105-10077	2 - 4	90176-22081	24 - 7	90202-26142	24 - 5	90387-06X41	41 - 5		9 - 24	91317-06016	8 - 42
90105-10078	2 - 3	90179-05523	36 - 14	90209-20012	16 - 3	90387-06X42	41 - 13	90467-11108	9 - 23		13 - 17
90105-10212	20 - 33	90179-06403	21 - 6	90209-21351	17 - 9	90387-07037	9 - 35		9 - 31	91317-06018	1 - 19
90105-10638	29 - 15	90179-06520	36 - 4	90209-21X00	17 - 3	90387-08024	20 - 21	90467-12085	9 - 17	91317-06020	6 - 17
90105-10733	20 - 15	90179-08442	12 - 8		17 - 19	90387-087L3	26 - 10		35 - 29		8 - 12
90105-10X16	34 - 3	90179-16448	3 - 9	90209-22X00	17 - 8	90387-124V0	22 - 22	90467-14015	13 - 14		19 - 4
90105-12028	23 - 2	90179-18003	17 - 34	90209-26348	17 - 15	90387-126Y1	22 - 13		13 - 15	91317-06025	5 - 14
90109-06419	8 - 21	90179-25615	24 - 4	90215-18X00	3 - 24	90387-127W0	22 - 23	90467-14800	9 - 20		8 - 38
90109-064G6	29 - 17	90183-05812	27 - 25	90215-20X00	16 - 4	90387-17801	30 - 25	90467-17089	11 - 6		14 - 5
90109-065F3	31 - 9	90185-06837	38 - 11	90215-20X01	16 - 19	90387-17802	30 - 26		11 - 8		14 - 34
90109-080G5	43 - 31		38 - 21	90215-21X00	17 - 33	90387-21002	17 - 7	90467-170A0	11 - 9	91317-06030	1 - 9
90109-12X00	22 - 18		42 - 8	90240-08124	35 - 17	90387-25802	17 - 26	90467-170A2	9 - 29		13 - 5
90110-05112	26 - 4	90185-12119	22 - 19	90240-10101	34 - 14	90401-08133	8 - 26	90467-17128	9 - 27		14 - 22
90110-06122	44 - 3	90201-047A2	44 - 10		34 - 22	90401-10096	8 - 29	90467-17800	20 - 38	91317-06035	14 - 4
90110-06202	7 - 34	90201-05X08	37 - 5	90267-40X01	12 - 29	90401-10X03	33 - 17	90467-17801	9 - 18		14 - 33
90110-08221	34 - 35	90201-06072	43 - 5		12 - 40		35 - 22	90480-01558	39 - 5	91317-06040	2 - 6
90110-10191	34 - 8	90201-06X04	27 - 19	90269-07007	7 - 18	90430-05X00	8 - 24	90480-11006	41 - 12	91317-06045	13 - 6
90111-05011	43 - 33	90201-06X14	41 - 11	90269-08066	22 - 29	90430-06014	6 - 12	90480-12072	20 - 12		14 - 18
90111-06023	12 - 42		41 - 27	90280-05001	3 - 7	90430-080119	20 - 5	90480-12497	21 - 3	91317-06050	6 - 24
90111-06051	9 - 32	90201-06X28	26 - 24	90282-05058	3 - 22	90430-08X01	8 - 27	90480-12581	12 - 32		14 - 6
90111-06068	12 - 31	90201-08083	35 - 18	90282-07001	16 - 2	90430-09002	10 - 3	90480-13398	15 - 24		14 - 7
90111-06X17	7 - 25	90201-082H0	20 - 22	90338-05008	27 - 28	90430-10X00	8 - 30	90480-14014	7 - 36	91317-06055	13 - 7
	12 - 16	90201-086A3	12 - 45	90340-14132	8 - 13	90430-12X00	44 - 22	90480-14023	40 - 7	91317-06060	13 - 8
	39 - 6	90201-08M03	26 - 8	90340-14X00	14 - 10	90430-22123	20 - 3	90480-15363	7 - 26	91317-06080	13 - 9
90111-06X19	7 - 16	90201-08X18	15 - 10	90340-36X00	14 - 12	90445-08X05	7 - 38		43 - 4	91317-06090	13 - 10
	7 - 23	90201-08X19	16 - 25	90380-22111	22 - 3	90445-08X06	7 - 28	90480-18276	7 - 27	91317-06095	8 - 22
	26 - 23	90201-096J9	1 - 10	90387-06014	34 - 33	90445-11X01	8 - 43		9 - 36	91317-08025	15 - 9
	27 - 12	90201-100L3	35 - 6		34 - 43	90450-20X01	8 - 45	90501-04X01	8 - 34	9131L-06035	9 - 33
	43 - 21	90201-10141	24 - 13	90387-06042	7 - 20		20 - 37	90501-06022	18 - 2	9131M-05020	43 - 25
90111-06X20	7 - 22	90201-101A4	2 - 5		43 - 3	90450-32X03	6 - 23	90501-15001	34 - 29	9131M-06020	38 - 9
	36 - 9	90201-101J1	23 - 6	90387-06161	7 - 35		7 - 6		34 - 40		38 - 20
90116-10485	30 - 9	90201-10X07	33 - 18	90387-06202	21 - 16	90450-59001	9 - 4	90501-260A1	16 - 12	91380-06016	11 - 4
90119-06044	35 - 30		35 - 21		43 - 18	90450-72001	9 - 2	90506-25X01	34 - 5	91380-08020	12 - 18
90119-06105	16 - 13	90201-10X17	16 - 30		44 - 15	90462-07X00	13 - 11	90508-16X00	16 - 23	91380-08030	12 - 46
90119-06X05	5 - 12	90201-10X18	15 - 7	90387-065J6	20 - 11	90462-16X00	14 - 15	90508-28777	34 - 12	91401-20012	35 - 19
90149-05110	8 - 23	90201-10X21	34 - 6		21 - 2	90464-08126	7 - 29		34 - 21	91401-25020	34 - 15
90149-05321	18 - 5	90201-124G9	22 - 20	90387-06648	7 - 21	90464-09X00	26 - 36	90560-17306	30 - 2		34 - 23
90150-05024	36 - 13	90201-12541	6 - 10	90387-068L3	40 - 6	90464-10X03	20 - 34	91317-05008	8 - 9	91808-16X00	13 - 3
90154-06061	20 - 10	90201-12X05	18 - 19	90387-068P7	9 - 34	90464-16005	26 - 31	91317-05010	26 - 5		14 - 29
	21 - 4	90201-12X06	18 - 16	90387-06M31	38 - 22	90464-25004	42 - 20	91317-05014	37 - 4		14 - 32
90157-05079	34 - 28	90201-16013	3 - 8	90387-06X01	27 - 14		43 - 12	91317-06010	34 - 11	91810-14X00	8 - 37
	34 - 39	90201-16021	22 - 9		38 - 10	90465-10044	1 - 16		34 - 20	92014-08025	35 - 8
90164-05014	39 - 3	90201-17X01	18 - 18	90387-06X02	7 - 17	90465-10045	2 - 7	91317-06012	6 - 21	92017-05025	44 - 29
90167-04X00	12 - 49	90201-208G4	17 - 23		12 - 17	90467-07138	9 - 25		8 - 31	92017-06014	27 - 23
90170-06128	4 - 12	90201-220T0	24 - 8		36 - 6	90467-08003	7 - 32		14 - 14	92017-06020	27 - 20
90170-18003	3 - 23	90201-30X00	3 - 15	90387-06X09	36 - 8	90467-09006	26 - 34		14 - 26		41 - 10

NUMERICAL INDEX

PART NO.	REF. NO.	PART NO.	REF. NO.	PART NO.	REF. NO.	PART NO.	REF. NO.	PART NO.	REF. NO.	PART NO.	REF. NO.
92017-06030	37 - 3	93210-96X00	1 - 14	95024-06012	33 - 19	9581M-06012	20 - 26				
92017-06035	8 - 4	93306-00106	6 - 5	95024-06025	21 - 5		44 - 24				
92017-10045	35 - 5	93306-00304	16 - 9	95027-06008	44 - 13	9581M-06014	44 - 16				
9201L-06014	41 - 4	93306-004XL	17 - 12	95027-06012	5 - 7	9581M-06016	41 - 26				
9201L-06025	41 - 29	93306-004XM	17 - 31		22 - 27	95827-08040	20 - 23				
92507-06012	9 - 11	93306-07209	5 - 2	95027-06014	26 - 22	97017-06025	36 - 7				
92902-04100	33 - 14	93306-20348	30 - 3	95027-06025	6 - 7	97707-40010	27 - 16				
92902-04600	33 - 15	93306-203XN	28 - 3	95602-06200	27 - 15	97707-40012	41 - 2				
92907-04200	41 - 23	93306-205XA	17 - 11	95604-06200	34 - 34	97707-40014	27 - 17				
92907-05600	42 - 16	93306-30437	30 - 6		34 - 44	97707-40020	41 - 9				
92907-06600	9 - 12	93306-305X4	17 - 25	95604-16200	22 - 10	97707-40025	44 - 9				
9290L-04600	12 - 30	93306-305YH	3 - 20		30 - 27	9770L-30110	41 - 17				
	12 - 41	93306-305YJ	3 - 19	95607-05200	44 - 30	9770M-50030	9 - 6				
9290L-05200	41 - 20	93306-308Y0	3 - 10	95607-06200	43 - 20	97780-30116	38 - 4				
9290M-05600	43 - 24	93310-530C7	15 - 2	95607-08200	34 - 17		38 - 8				
9290M-06200	40 - 8	93310-84010	3 - 5		39 - 11		38 - 15				
93101-12173	6 - 8	93315-11206	18 - 13	95607-10200	20 - 8		38 - 19				
93101-14164	14 - 24	93315-22251	22 - 2		23 - 5	98502-04012	33 - 13				
93101-25106	3 - 21	93315-31502	16 - 29		24 - 15	98507-05020	42 - 18				
93102-12106	18 - 14	93315-31758	22 - 17		30 - 11	98507-05030	42 - 12				
93102-15212	16 - 28	93317-11020	16 - 27	95607-12200	23 - 3	98507-05045	42 - 13				
93102-35368	17 - 28	93317-21746	22 - 11	95617-06100	33 - 8		42 - 17				
93106-22019	22 - 4	93317-31771	22 - 16	95617-08618	1 - 4	98507-05055	42 - 15				
93106-23002	28 - 4	93332-00001	24 - 2	95617-12100	22 - 21	98507-06012	10 - 4				
	30 - 4	93332-00008	24 - 1	9561M-10100	34 - 7	98580-04016	25 - 48				
93106-30029	30 - 8	93410-11X00	8 - 6	95707-08500	30 - 24	98707-03020	42 - 4				
93108-35004	22 - 6	93410-17X00	18 - 17	9570L-04300	41 - 24	99001-07600	16 - 26				
93109-17071	22 - 12	93410-20825	17 - 24	9570L-05300	41 - 21	99001-10600	18 - 15				
93210-07X01	8 - 20	93440-10X00	1 - 3	9570L-06500	43 - 19	99009-10400	16 - 31				
	13 - 4	93440-11024	15 - 13	9571L-06300	41 - 28	99009-12400	6 - 15				
93210-10X00	8 - 36	93440-25084	17 - 4		44 - 20	99530-12016	13 - 2				
93210-11X00	8 - 16		17 - 20	95807-06008	21 - 14		14 - 3				
93210-13X00	8 - 3	93440-28062	17 - 16	95807-06010	20 - 28		14 - 9				
	14 - 8	93450-24824	3 - 14	95807-06016	21 - 13		14 - 21				
93210-14X00	14 - 11	93501-04011	34 - 30		21 - 15	99530-14016	13 - 18				
93210-15414	35 - 4		34 - 42	95807-06040	43 - 6						
93210-15620	35 - 11	93503-08007	8 - 33	95807-08012	20 - 4						
93210-15X00	8 - 41	93603-16219	6 - 13	95812-06030	25 - 50						
93210-19123	20 - 35	93612-16X00	1 - 12	95817-06035	15 - 22						
93210-21X00	6 - 20	94109-21800	28 - 7		40 - 9						
93210-22X00	17 - 27	94109-21801	28 - 7	95817-06040	34 - 32						
93210-29X00	44 - 2	94113-17800	30 - 15	95817-06050	36 - 10						
93210-33X00	6 - 18	94113-17801	30 - 15	95817-08014	12 - 44						
93210-35X00	14 - 13	94418-21X00	28 - 5	95817-08030	27 - 8						
93210-41X00	7 - 4	94427-17X00	30 - 14	95817-08040	26 - 7						
93210-61750	6 - 4	9456X-08110	30 - 19	95817-08045	39 - 10						
93210-64X01	8 - 19	94591-57126	5 - 9	95817-10035	20 - 14						
93210-78X00	1 - 18	94701-00X09	1 - 11	95817-10070	20 - 7						